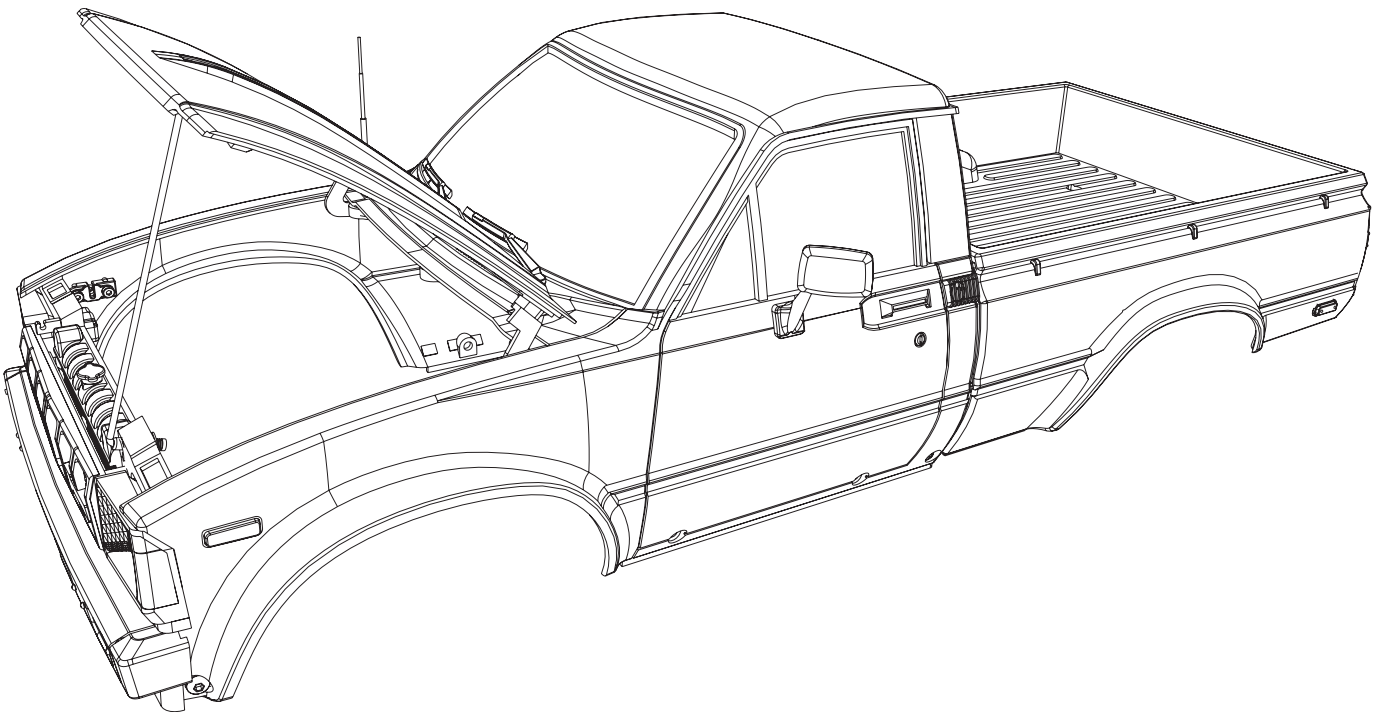


RC4WD 1982 TOYOTA PICKUP HARD BODY COMPLETE SET



TOYOTA
OFFICIAL
LICENSED
PRODUCT



Warranty

RC4WD non-electrical products are warranted to be free of defects in materials and workmanship when new. Our limited warranty does not cover damages due to normal wear and tear, user error of assembly or installation, user modifications, user's failure to perform routine maintenance, addition of aftermarket parts or option parts. This warranty lasts 30 days after arrival for original purchaser.

In the event of a defect under this warranty, RC4WD will, at our discretion, replace the product, provided our inspection indicates that an original defect exists. RC4WD reserves the right to replace any product which is no longer available with a product of comparable value and function. If RC4WD determines the repair is not covered under warranty guidelines, we will contact you to discuss your options. If you have any questions, please contact us via email at support@rc4wd.com.

RC4WD warrants its electronics for 30 days from date of arrival. This covers all electrical items except items that are already noted on the individual product page.

Los productos no eléctricos RC4WD están garantizados como libres de defectos en materiales y mano de obra cuando son nuevos. Nuestra garantía limitada no cubre los daños debidos al desgaste normal, a errores de montaje o instalación por parte del usuario, a modificaciones del usuario, a la falta de mantenimiento rutinario por parte del usuario, a la adición de piezas de recambio o a piezas opcionales. Esta garantía dura 30 días después de la fecha de entrega para el comprador original.

En el caso de un defecto bajo esta garantía, RC4WD, a nuestra discreción, reemplazará el producto, siempre que nuestra inspección indique que existe un defecto original. RC4WD se reserva el derecho de sustituir cualquier producto que ya no esté disponible por otro de valor y función comparables. Si RC4WD determina que la reparación no está cubierta por la garantía, nos pondremos en contacto con usted para discutir sus opciones. Si tiene alguna pregunta, por favor contáctenos por correo electrónico a support@rc4wd.com.

RC4WD garantiza su electrónica por 30 días a partir de la fecha de entrega. Esto cubre todos los artículos eléctricos, excepto los que ya están anotados en la página del producto individual.

Les produits non électriques RC4WD sont garantis comme étant exempts de défauts de matériaux et de fabrication lorsqu'ils sont neufs. La garantie limitée ne couvre pas les dommages dus à l'usure normale, aux erreurs de montage ou d'installation de l'utilisateur aux modifications apportées par l'utilisateur, au défaut d'entretien courant de l'utilisateur, à l'ajout de pièces de rechange ou de pièces optionnelles. Cette garantie dure 30 jours à compter de la date d'arrivée de l'acheteur initial.

En cas de défaut au titre de cette garantie, RC4WD remplacera, à notre discrétion, le produit, à condition que notre inspection indique qu'il s'agit d'un défaut d'origine. RC4WD se réserve le droit de remplacer tout produit indisponible par un produit de valeur et de fonction comparables. Si RC4WD détermine que la réparation n'est pas couverte par les directives de garantie, nous vous contacterons pour discuter des possibilités qui s'offrent à vous. Si vous avez des questions, veuillez nous contacter par courriel à support@rc4wd.com.

RC4WD garantit ses appareils électroniques pendant 30 jours à compter de la date d'arrivée. Cette garantie couvre tous les articles électriques, à l'exception de ceux qui sont déjà mentionnés sur la page de chaque produit.

Alle RC4WD, nicht elektrischen Produkte“ sind garantiert frei von Materialfehlern durch die Produktion und Verarbeitung. Die Garantie deckt nicht Schäden aufgrund normaler Abnutzung, Benutzerfehler bei der Montage oder Installation, Änderungen durch den Benutzer, unterlassen der routinemäßigen Wartung durch den Benutzer, hinzufügen von Fremdteilen oder Optionsteile. Diese Garantie beträgt 30 Tage nach Kauf und Erhalt der Ware durch den Käufer. Im Falle eines Mangels im Rahmen dieser Garantie, wird RC4WD nach Ermessen und sofern nach einer Kontrolle ein ursprünglicher Defekt vorliegt, das Produkt austauschen.

RC4WD behält sich das Recht vor, Produkte die nicht mehr erhältlich sind, mit einem gleichwertigem Produkt mit vergleichbarer Funktion zu tauschen.

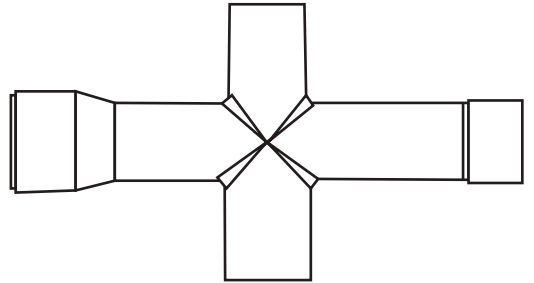
Wenn die Reklamation nicht mehr unter der Garantie fällt, wird Sie RC4WD für weitere Lösungen kontaktieren. Bei Fragen kontaktieren Sie uns bitte per E-Mail unter support@rc4wd.com.



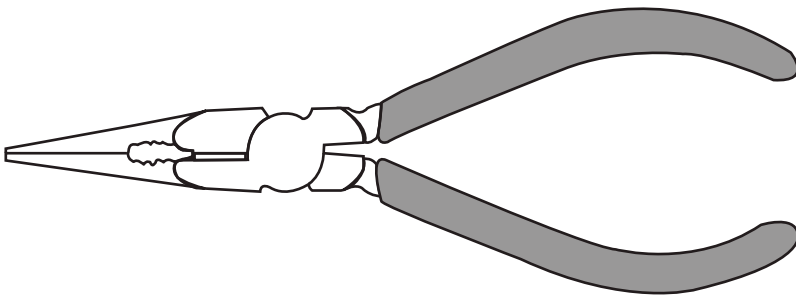
Recommended Tools



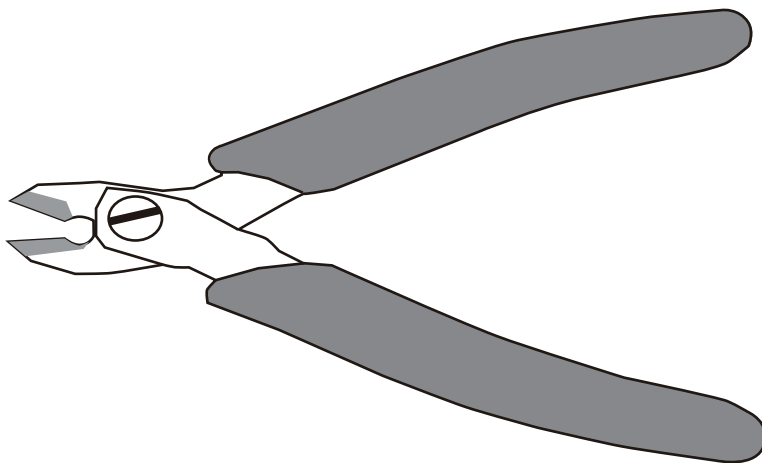
Thread Lock



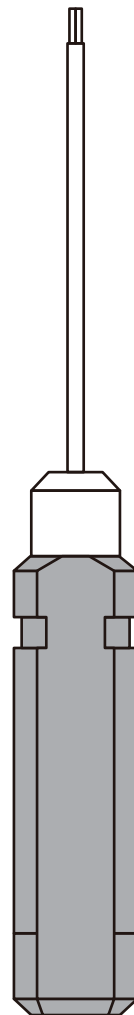
Cross Wrench



Long Nose Pliers



Side Cutters

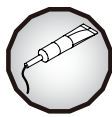


Hex Drivers (1.5mm, 2mm, 2.5mm)

Instruction Manual Symbols Key



Apply Thread Lock



Apply Grease



Glue



Trim with Hobby Knife



CA Glue



Remove



Cut with Scissors



Repeat or Build Multiple



Build Right and Left



Paint



Attention



Build Front and Rear

Tips for Assembly

- Open kit bags in order of assembly steps.
- Use “Step” index for quantity and size of hardware to be used for assembly.
- Use good quality hex drivers to avoid stripping screw heads.
- Do not over tighten screws otherwise you may strip the thread.
- Use thread lock when putting metal screws into metal parts.

Note: Steps marked with an asterisk (*) require thread lock.

Use threadlock sparingly on metal parts.


Recommendations for building your RC4WD 1982 Toyota Pickup Truck Hard Body Complete Set.

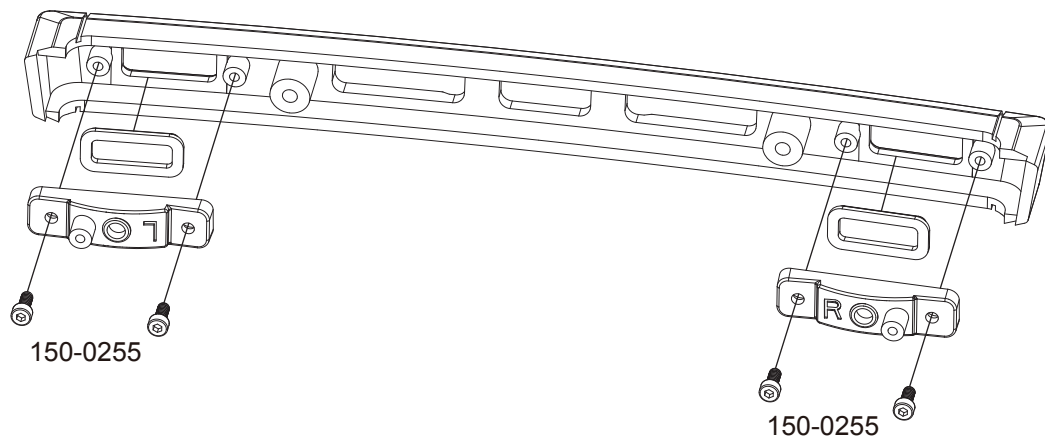
1. Carefully remove all parts from bags and sort them. Make sure to use threadlock on all screws in aluminum.
2. Do not over-tighten screws. Stripping screw heads and holes during assembly can happen if you are using too much force.



RC4WD

Step 1

 X4
150-0255
M2 x 5mm SHSTS

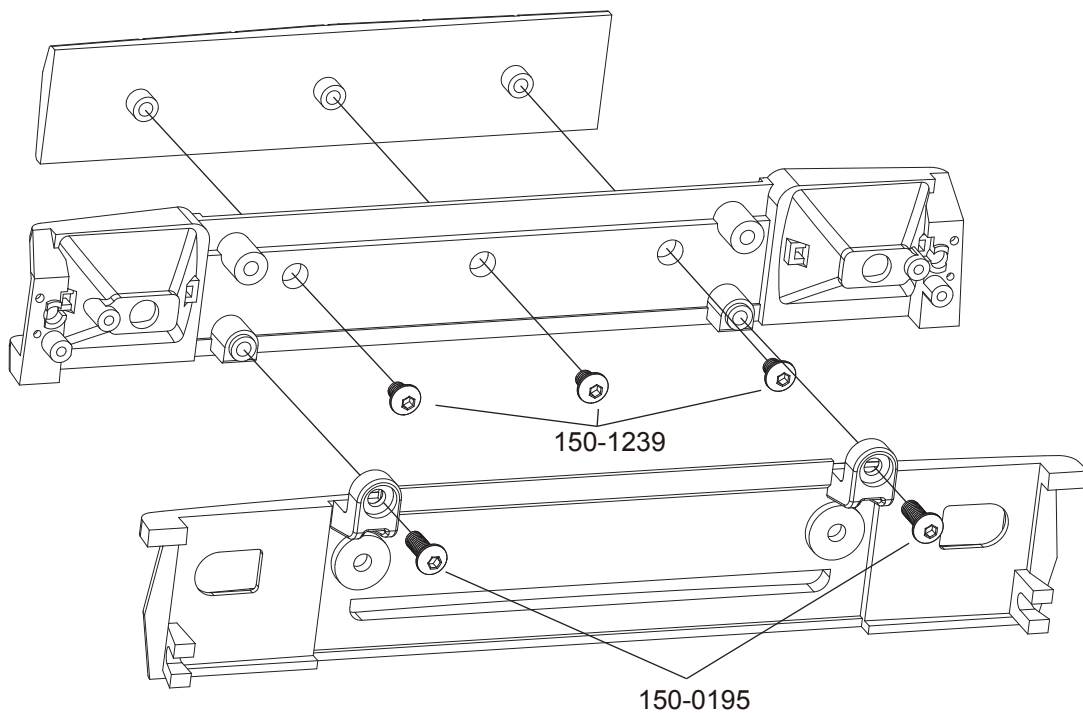


RC4WD

Step 2

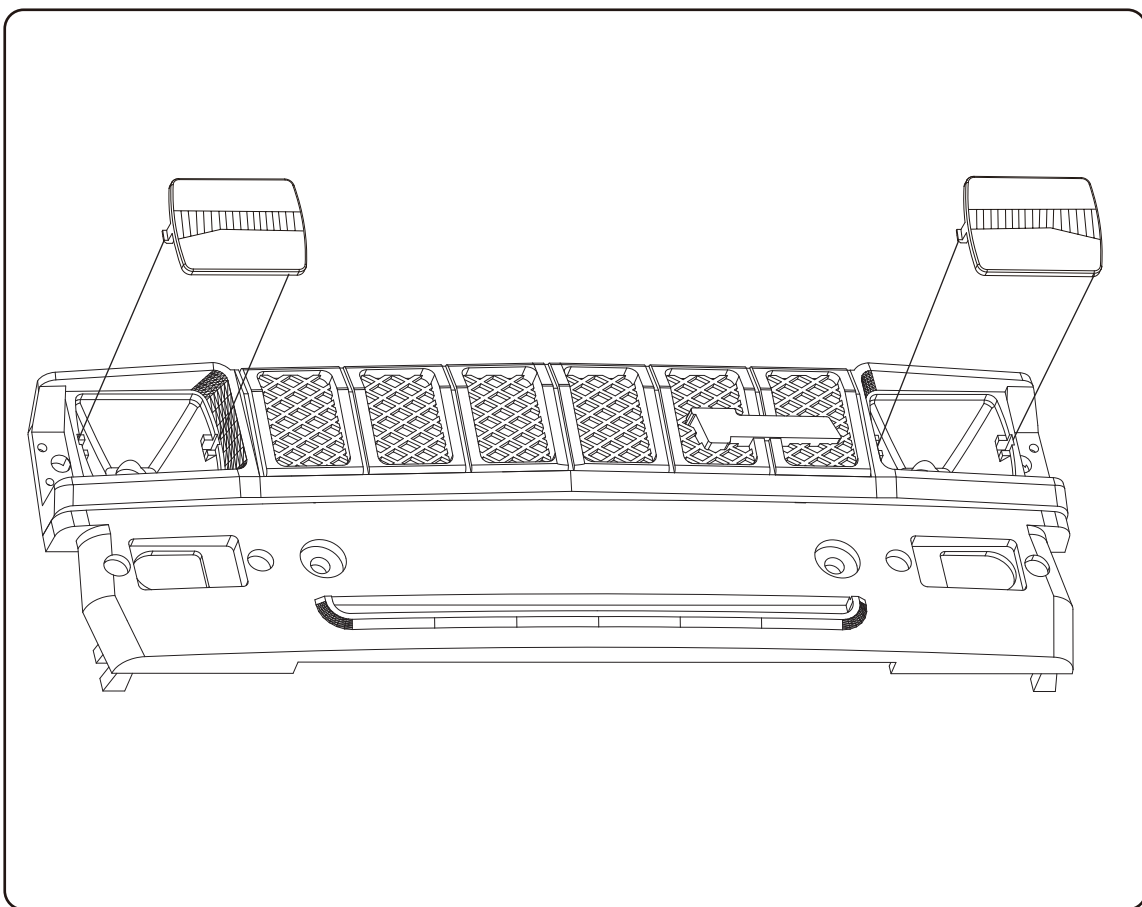
 X3
150-0239
M3 x 4mm BHSTS

 X2
150-0195
M3 x 8mm BHSTS



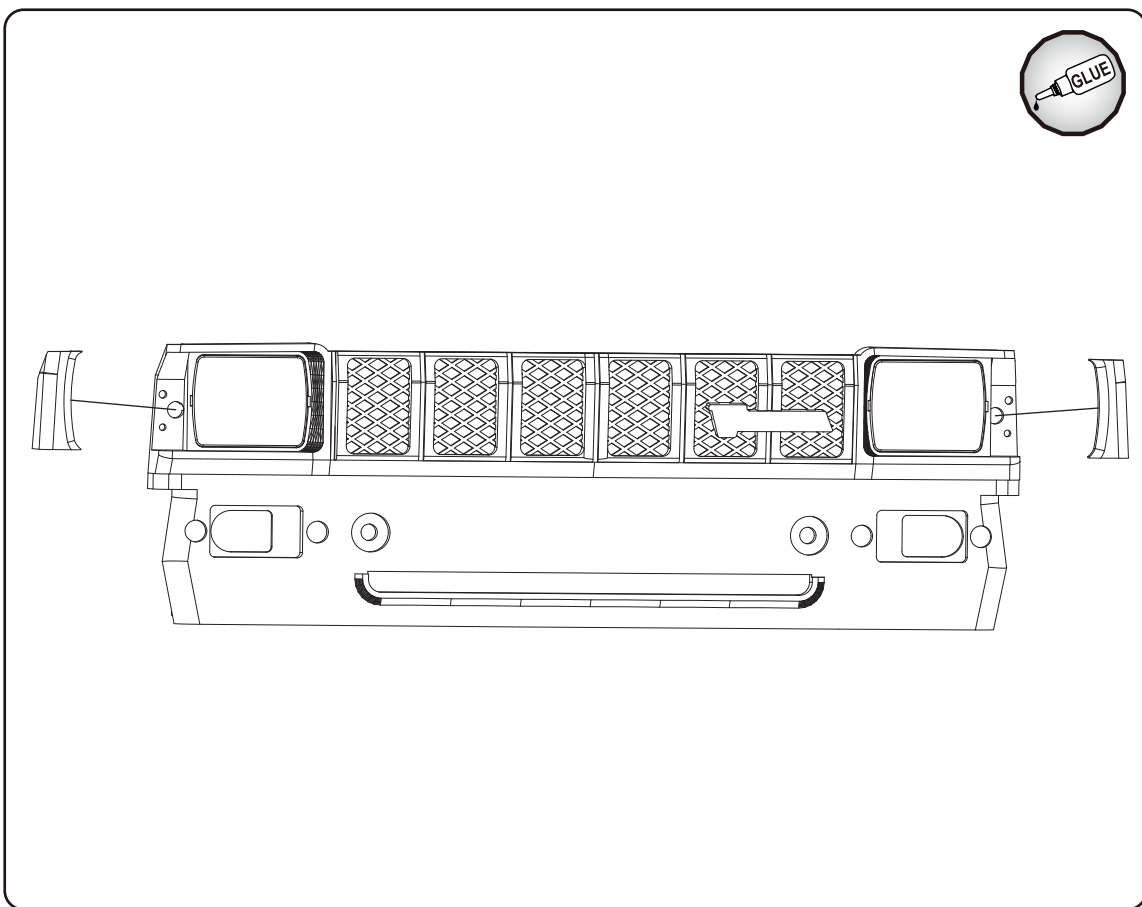
RC4WD
Step 3

Push to snap in.



RC4WD
Step 4

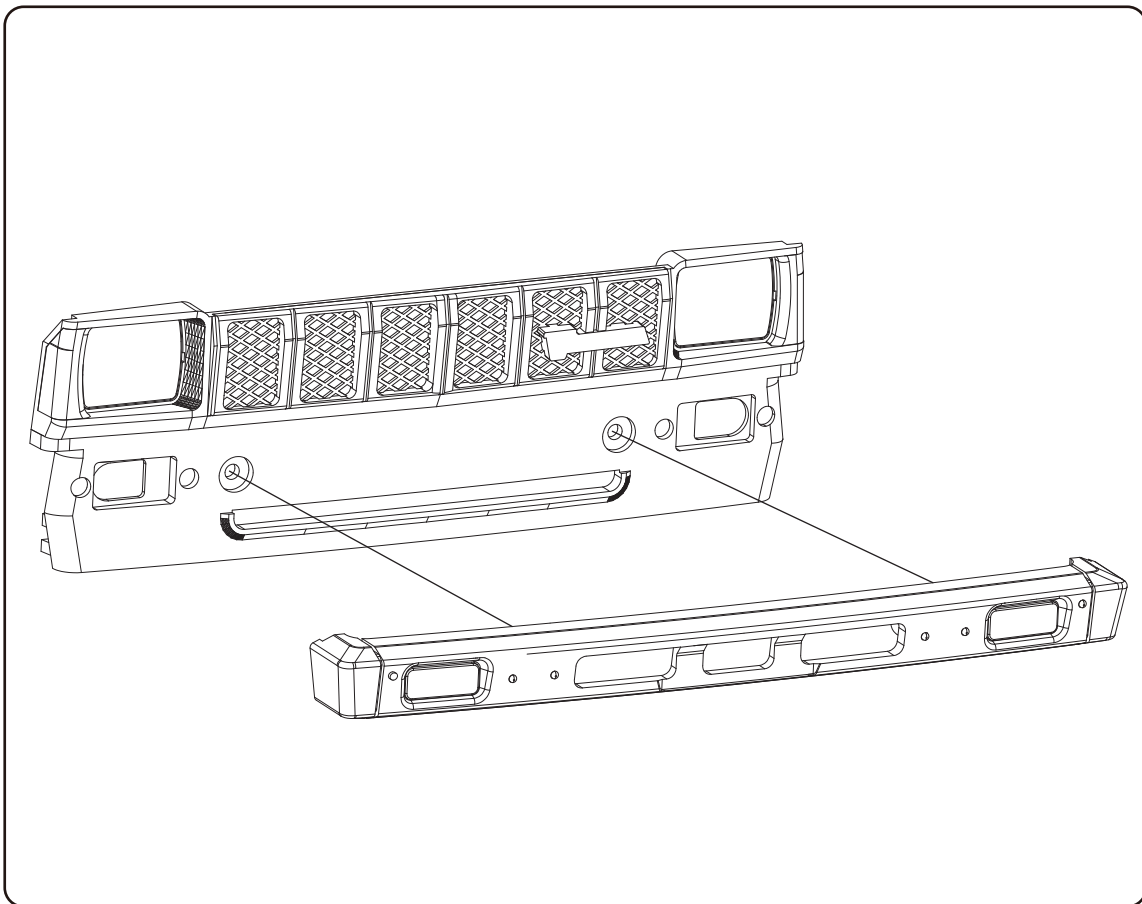
Install using flexible glue.



RC4WD


Step 5


Combine parts.

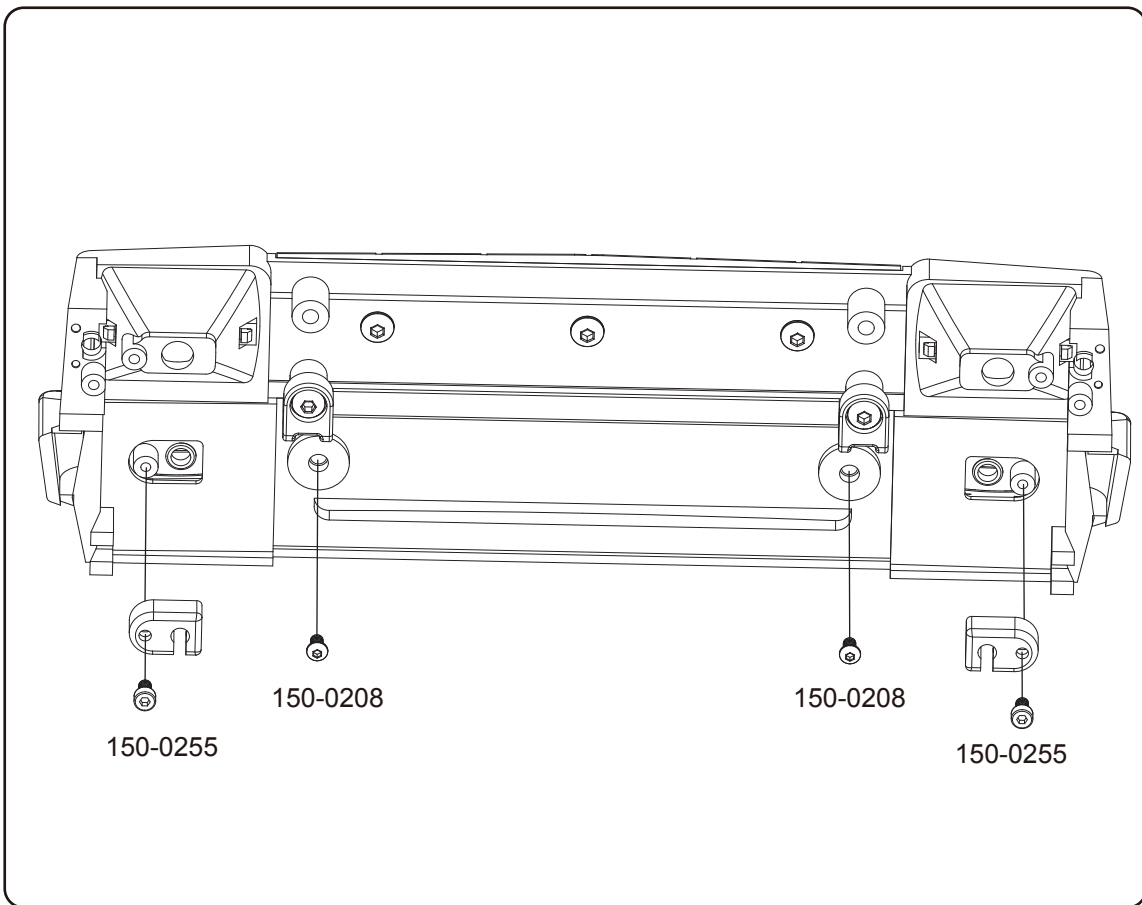


RC4WD

Step 6


 X2
150-0255
M2 x 5mm SHSTS

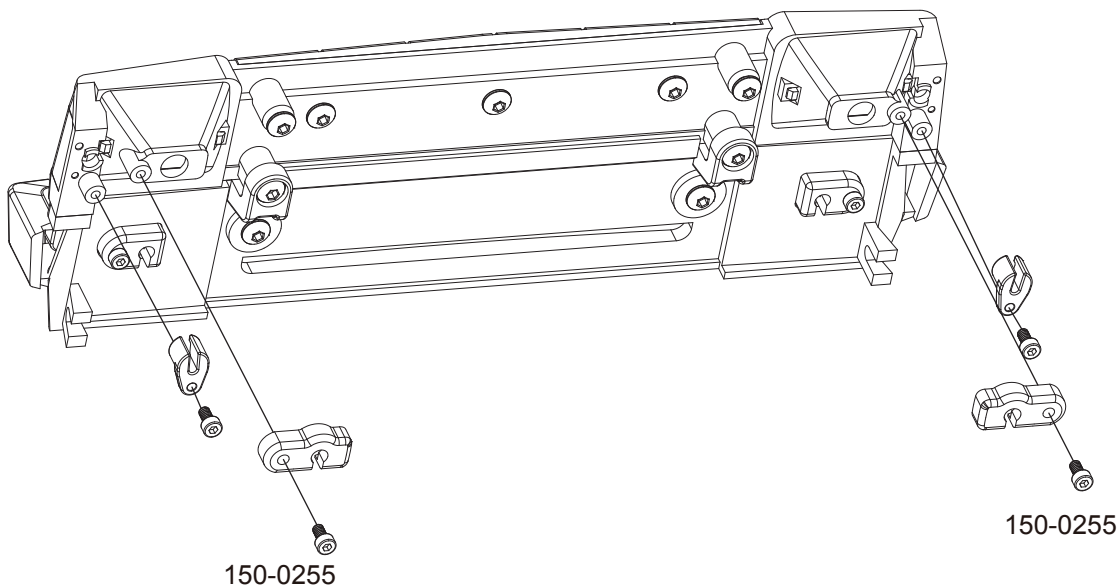
 X2
150-0208
M3 x 6mm BHSTS



RC4WD


Step 7

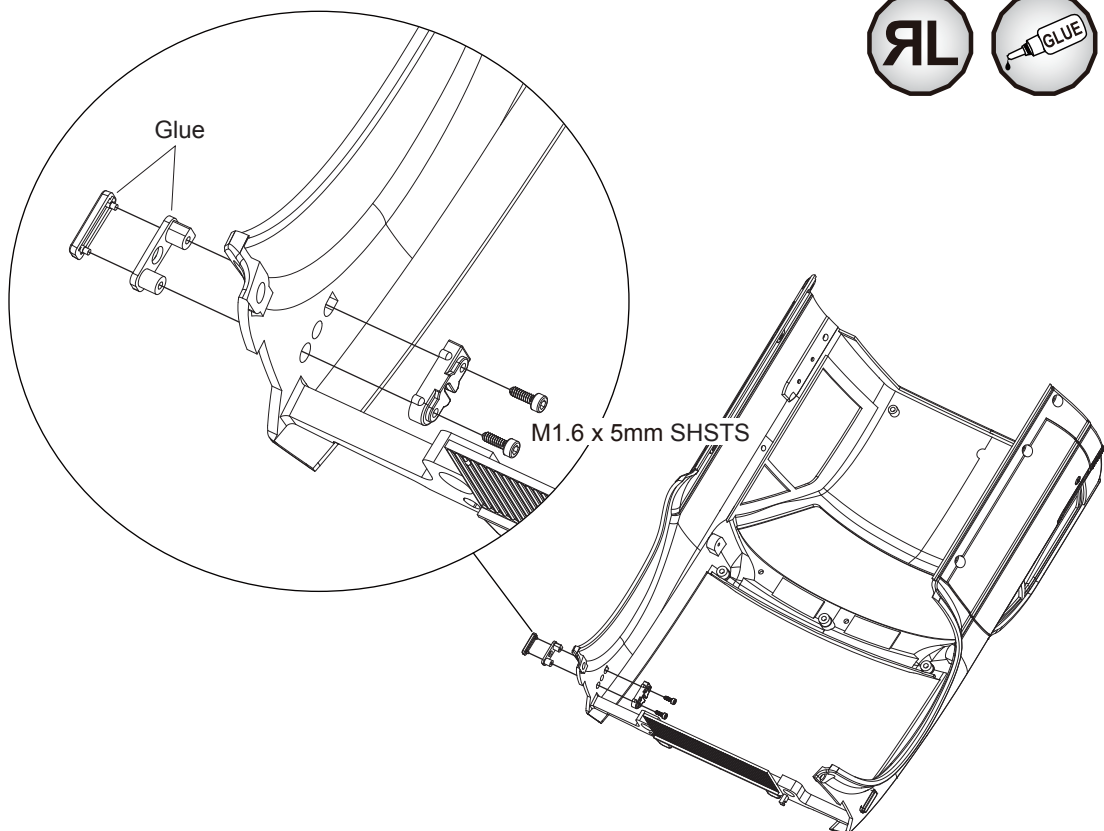
 X4
150-0255
M2 x 5mm SHSTS



RC4WD

Step 8

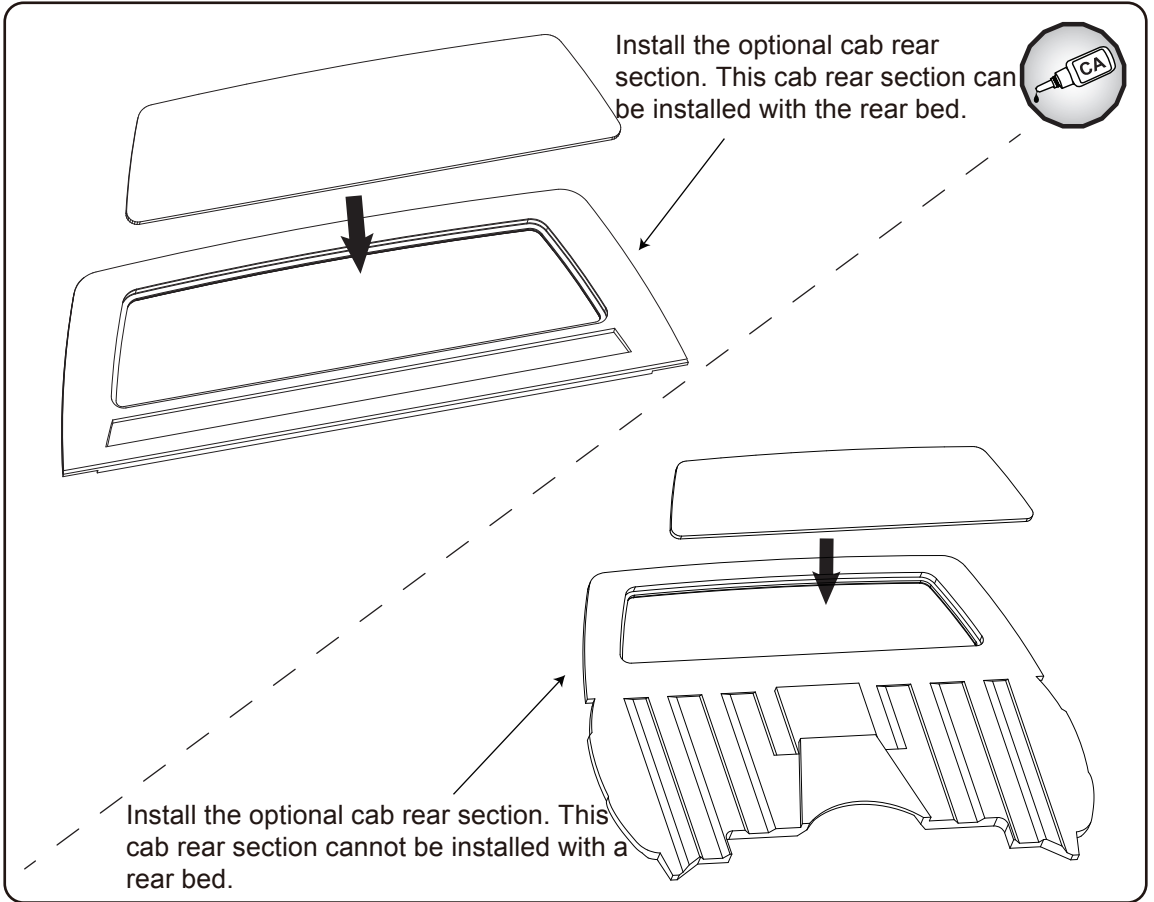
 X4
SHSTS
M1.6 x 5mm



RC4WD

Step 9

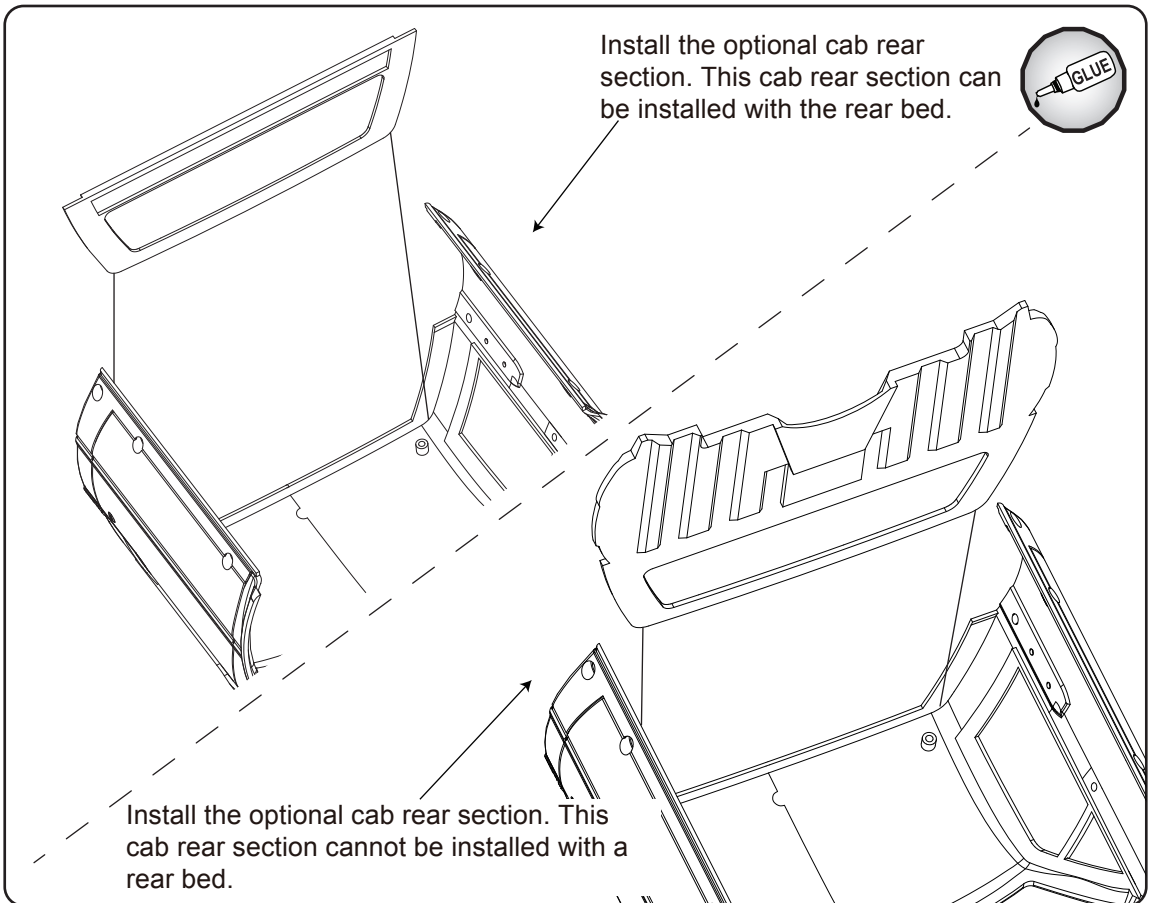
Use foam safe CA glue or flexible glue.



RC4WD

Step 10

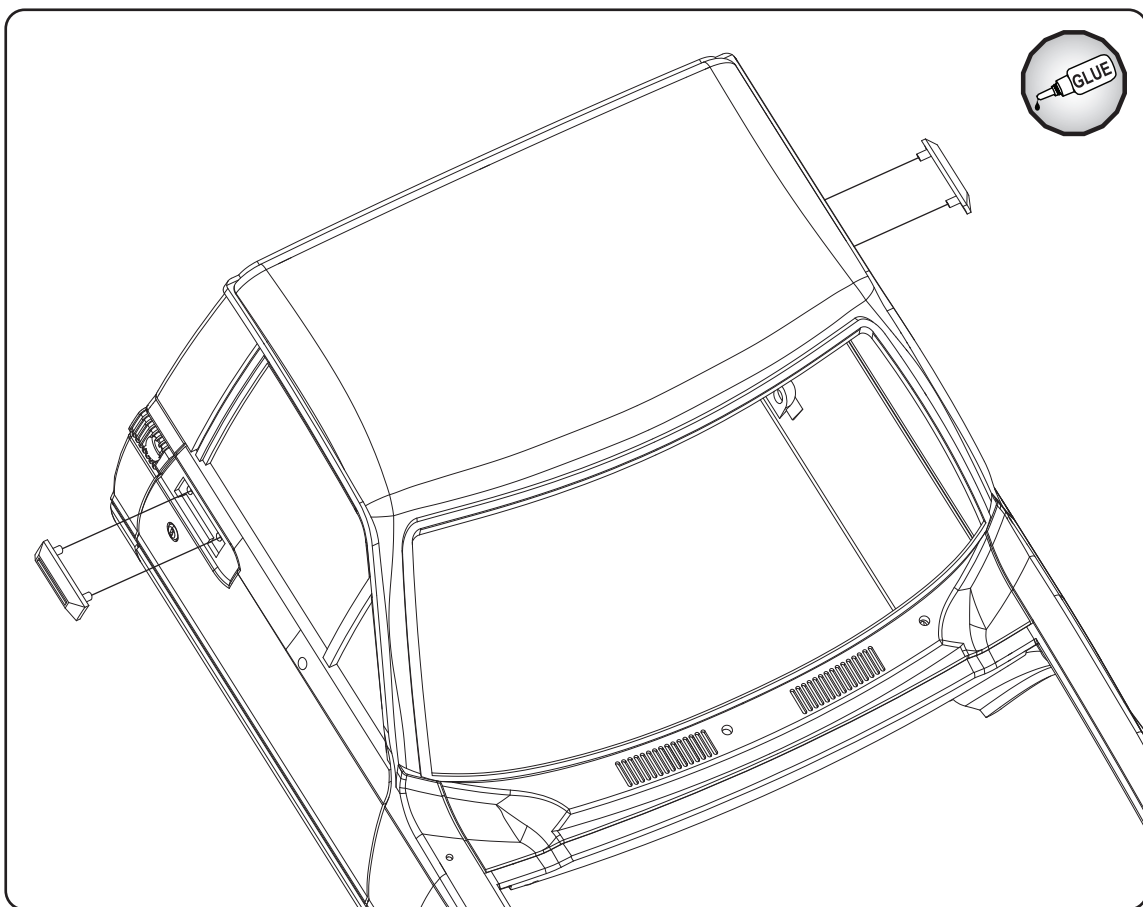
Use plastic solvent glue or flexible glue.



RC4WD

Step 11

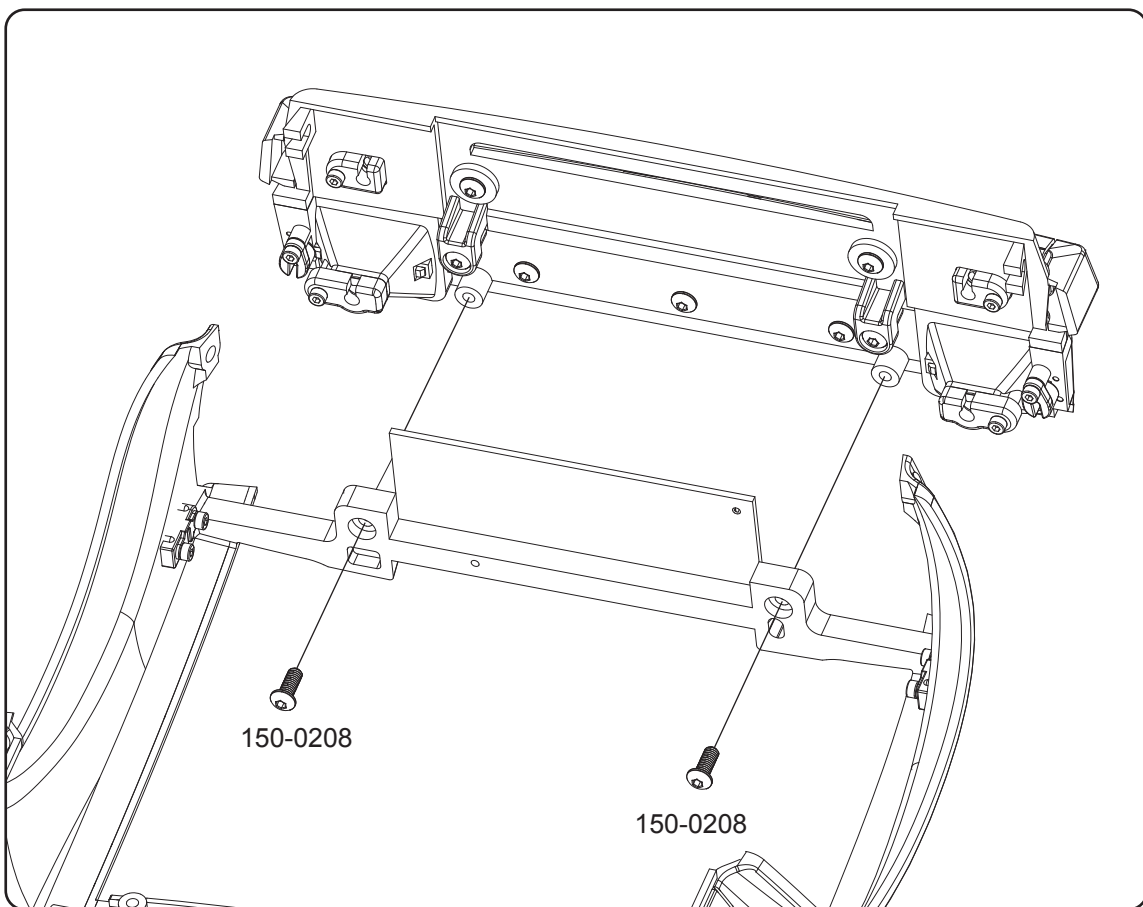
Can be fixed with plastic solvent glue.



RC4WD

Step 12

 X2
150-0208
M3 x 6mm BHSTS



RC4WD

Step 13



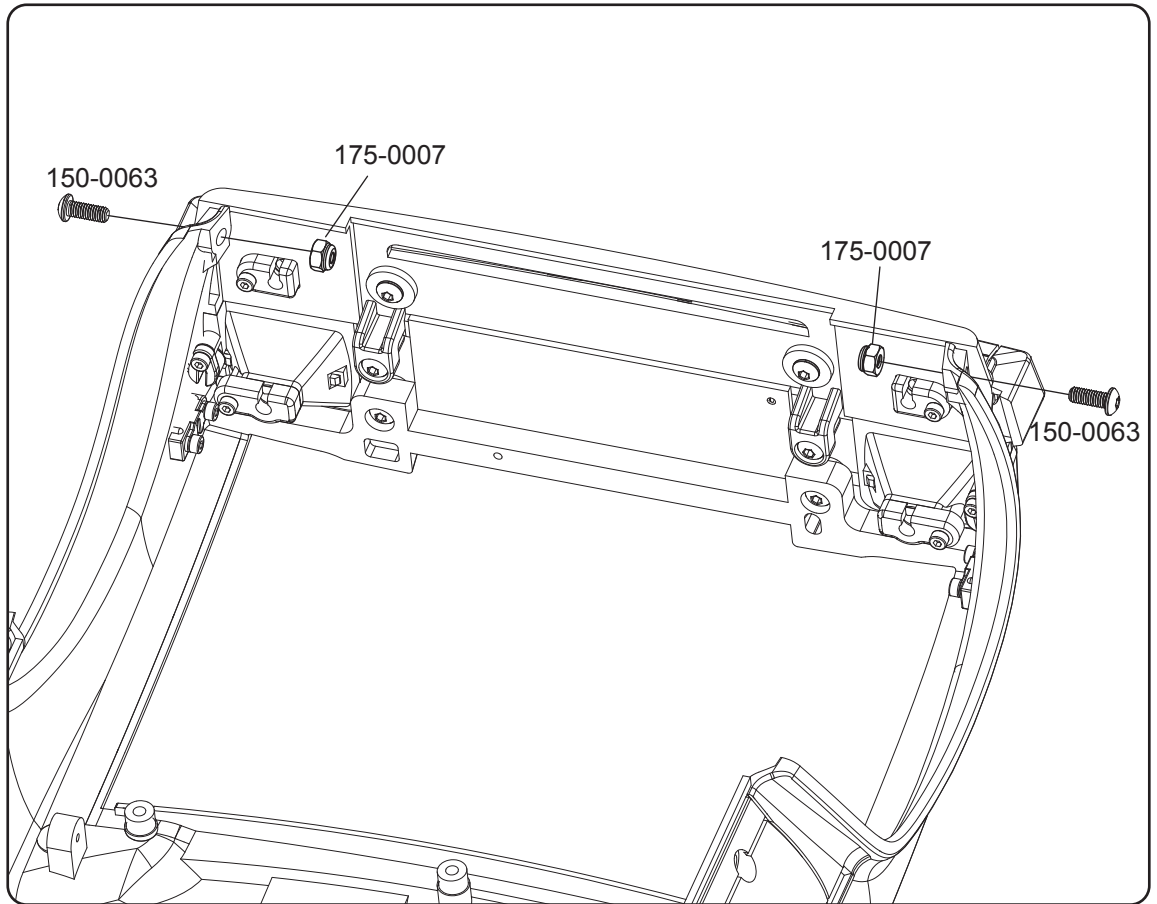
X2

175-0007
M3 Nylock Nut



X2

150-0063
M3 x 10mm BHCS



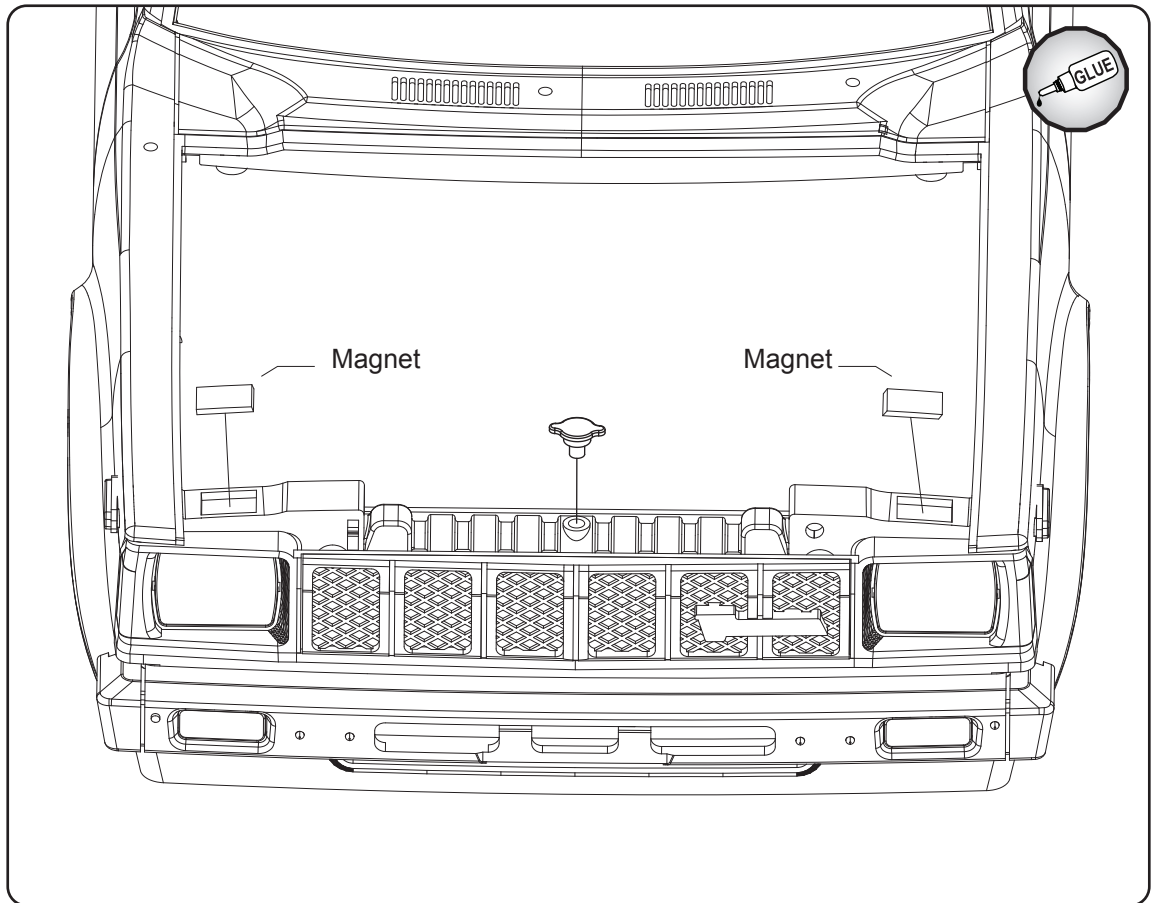
RC4WD

Step 14

Magnets to:
properly align
Magnet field of
magnets before.

Glueing with
flexible glue.

Radiator cap
should be installed
with Plastic
Solvent glue.

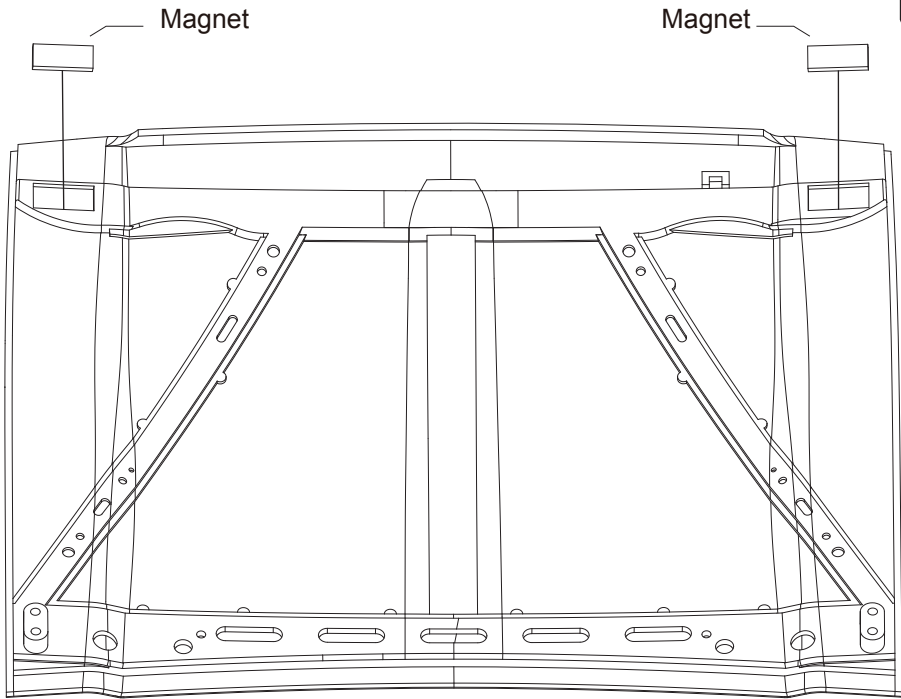


RC4WD

Step 15


Magnets to:
properly align
Magnet field of
magnets before.

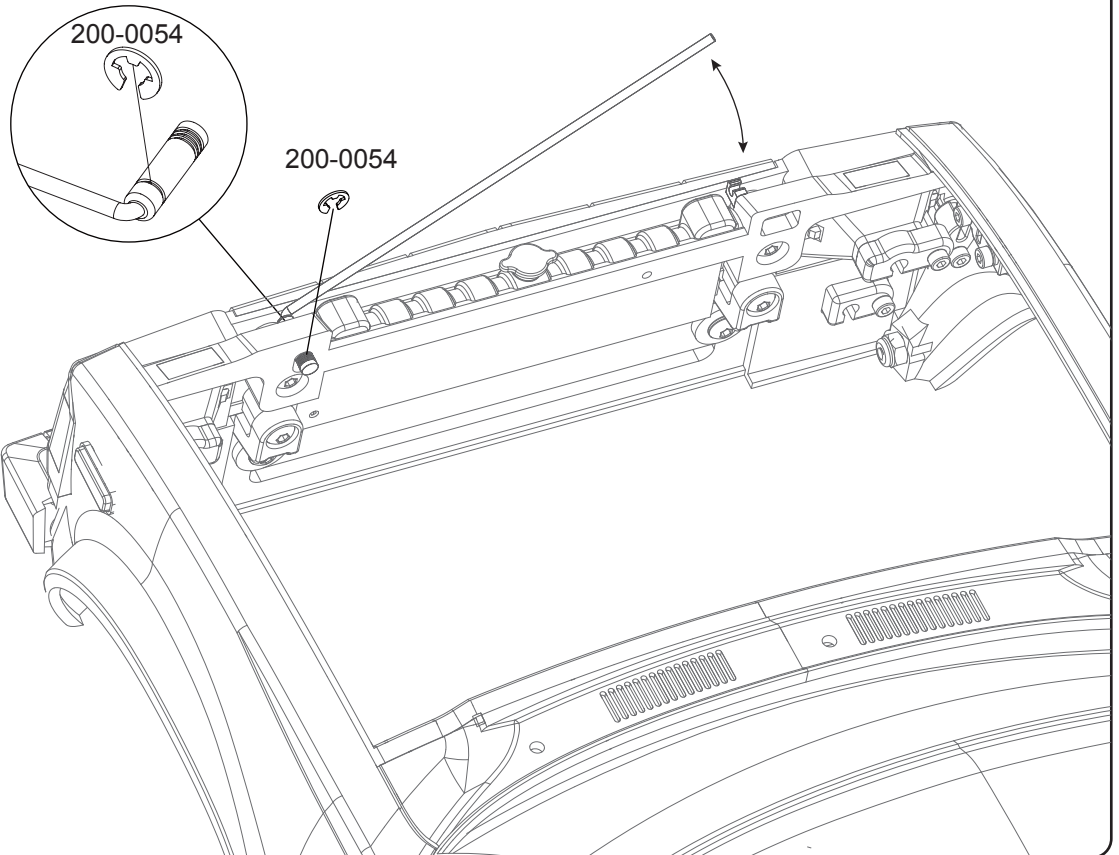
Glueing with
flexible glue.




RC4WD

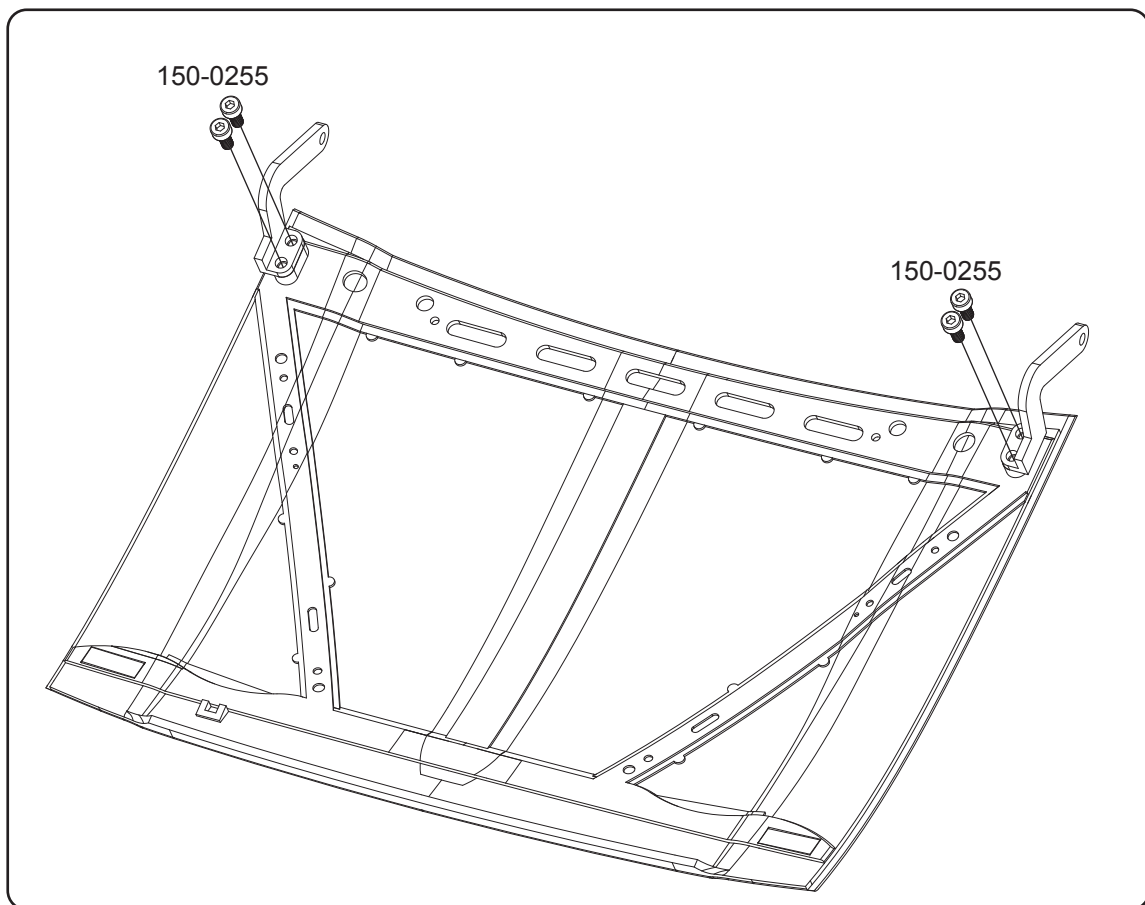
Step 16

 X2
200-0054
M2.5 E-clip (Black)




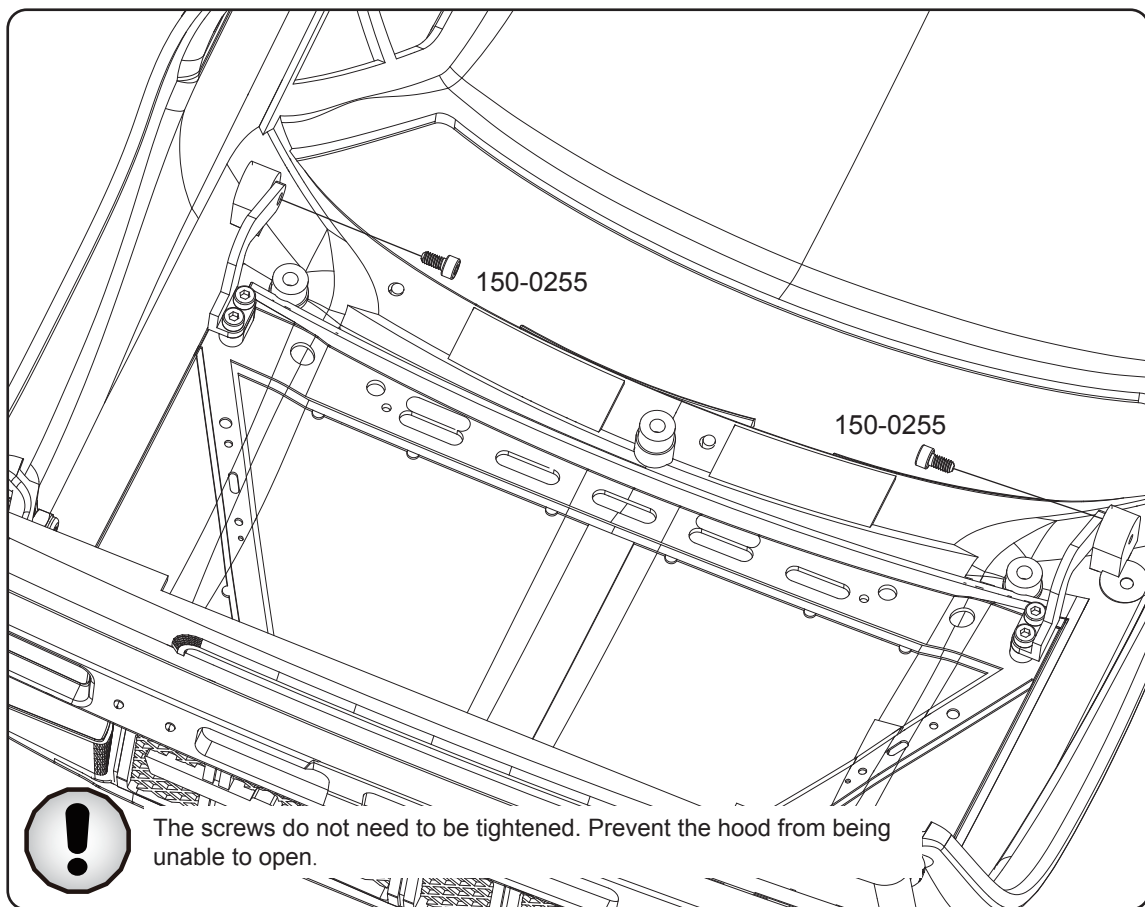
RC4WD Step 17

 X4
150-0255
M2 x 5mm SHSTS



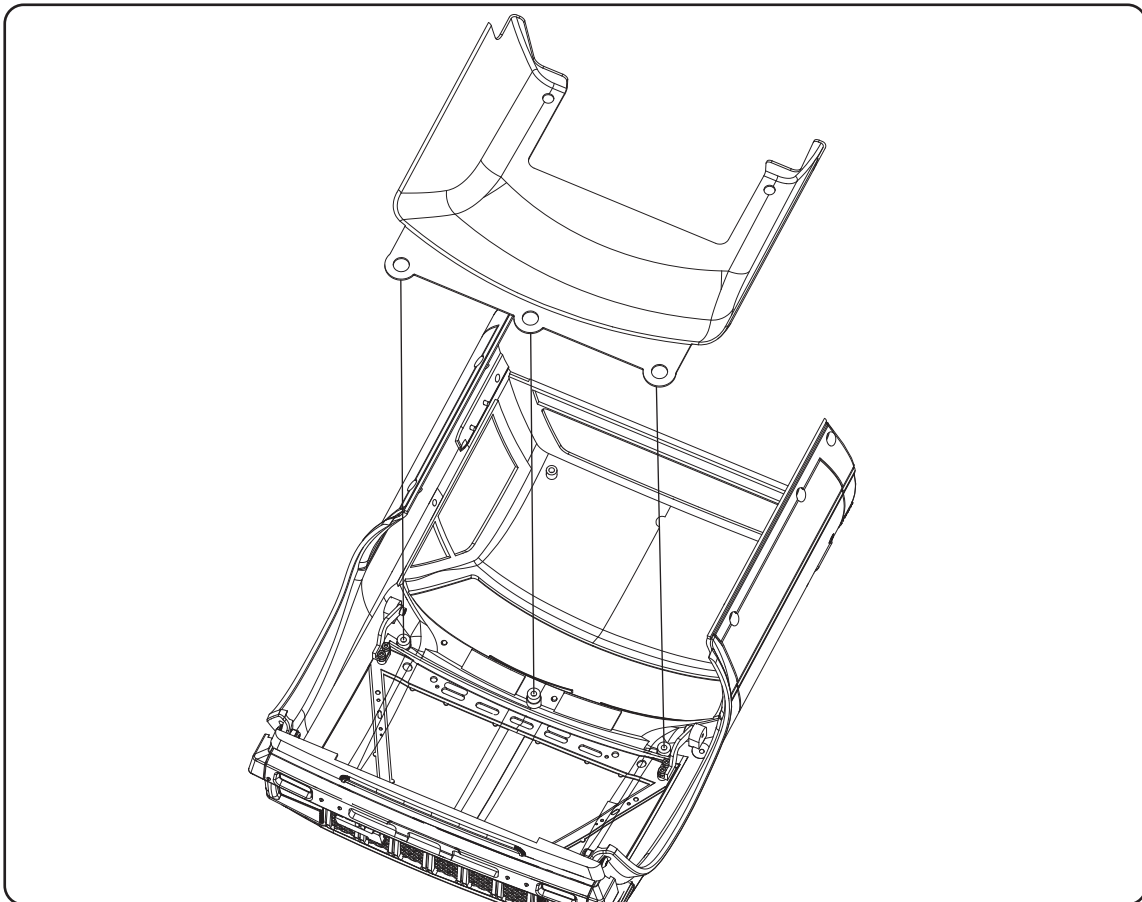
RC4WD Step 18

 X2
150-0255
M2 x 5mm SHSTS



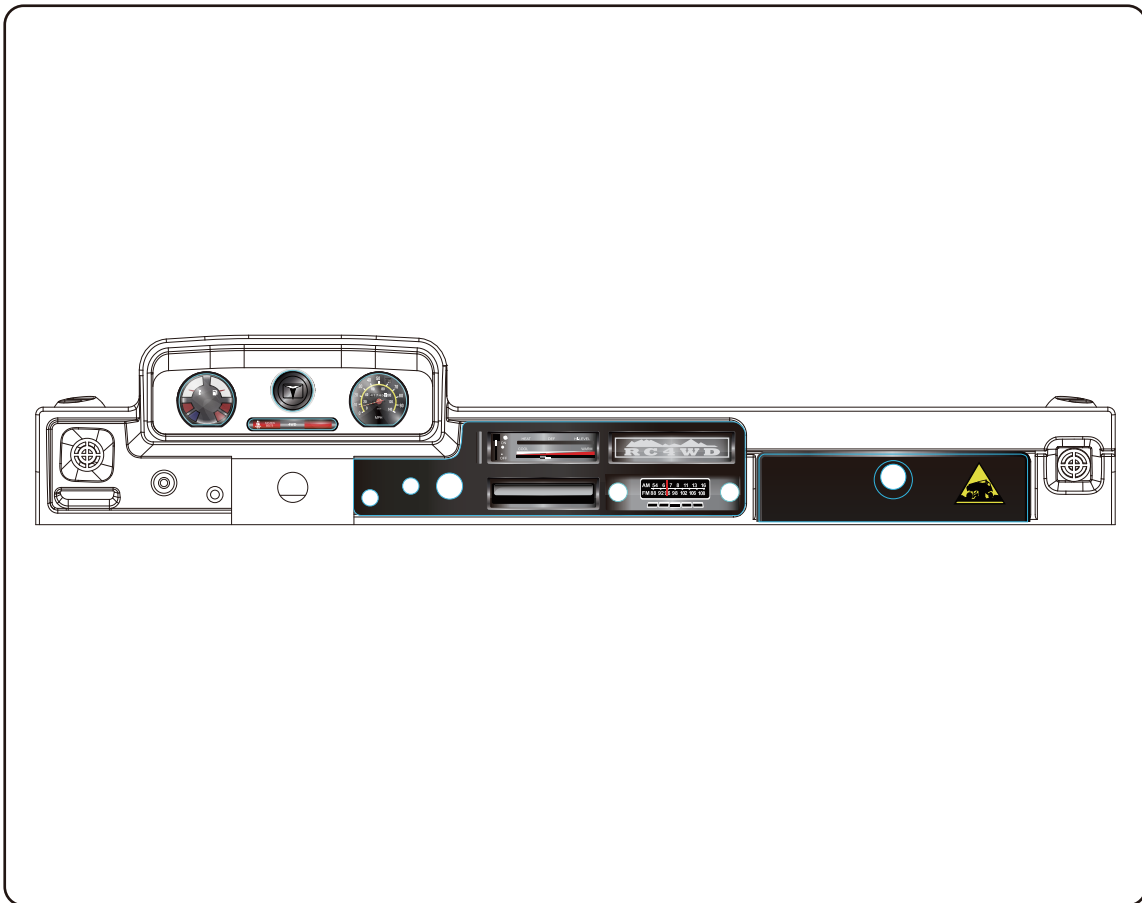
The screws do not need to be tightened. Prevent the hood from being unable to open.

RC4WD
Step 19



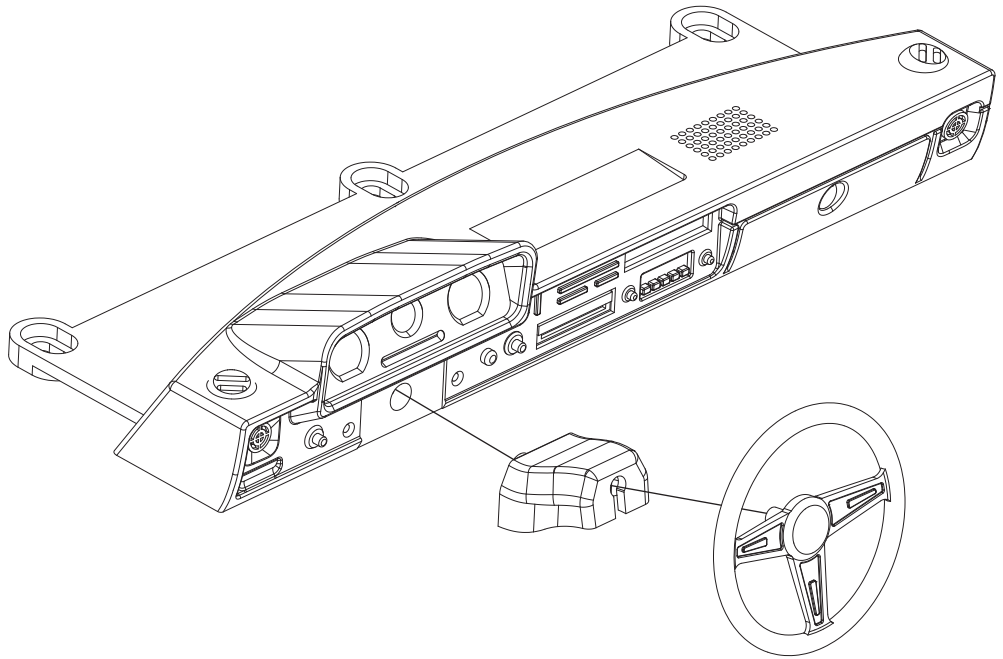
RC4WD
Step 20

Dashboard decal reference.




RC4WD Step 21

Use plastic solvent or flexible glue to secure.



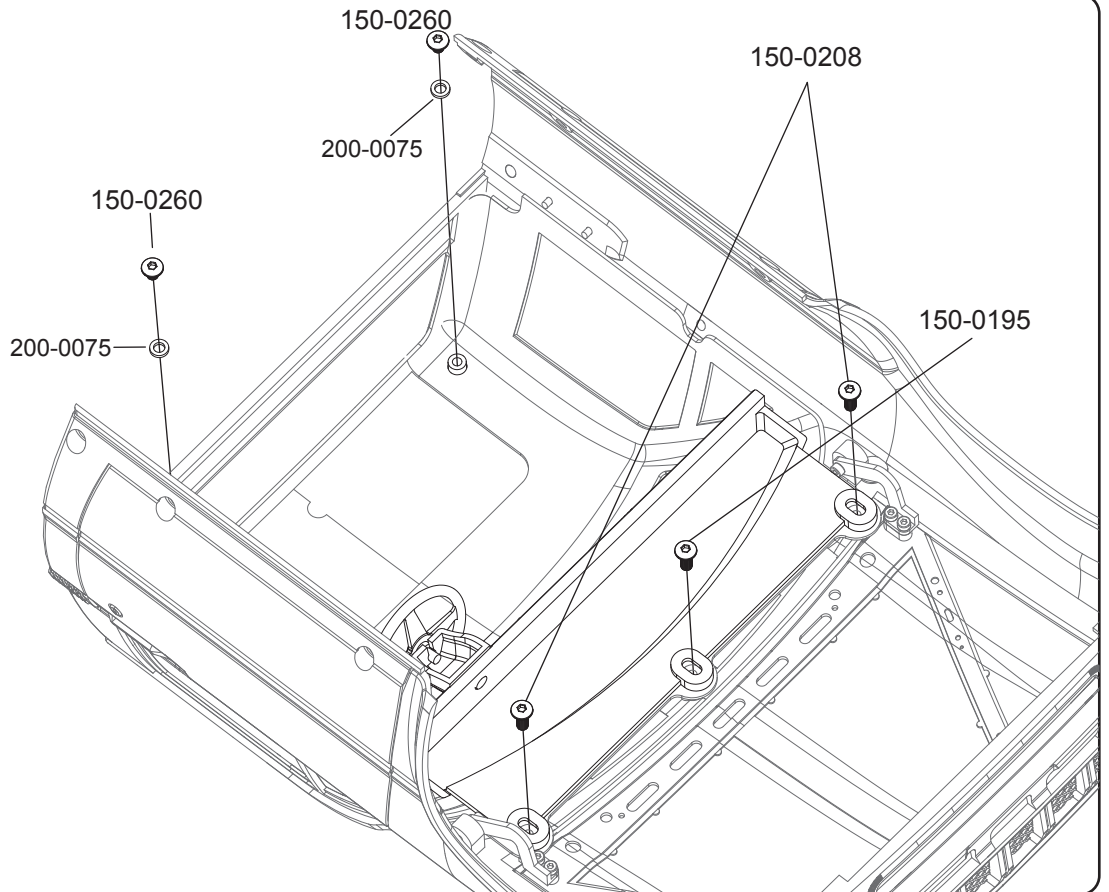
RC4WD Step 22

 X2
150-0208
M3 x 6mm BHSTS

 X1
150-0195
M3 x 8mm BHSTS

 X2
150-0260
M3 x 4mm BHSTS

 X2
200-0075
M3 X 1mm Spacer



RC4WD
Step 23



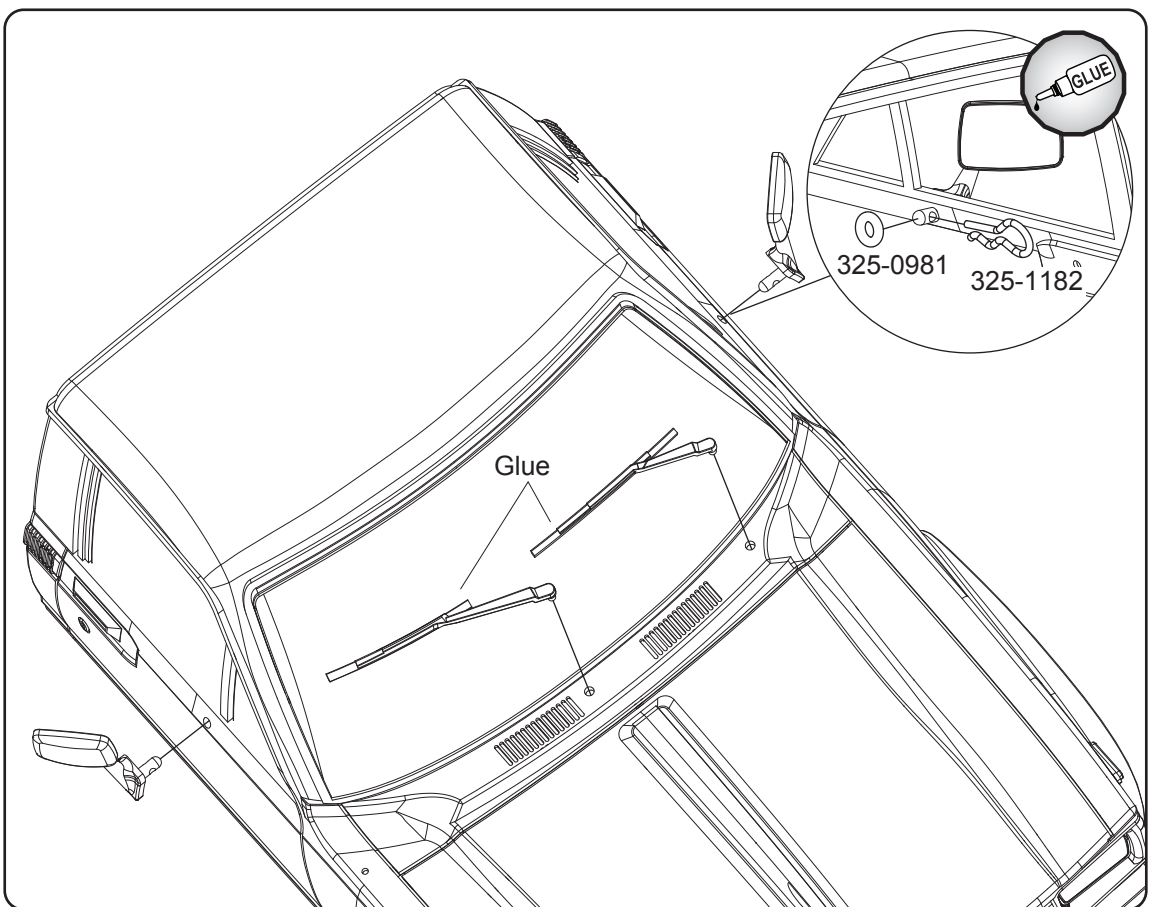
X2

325-0981
Rubber O-ring



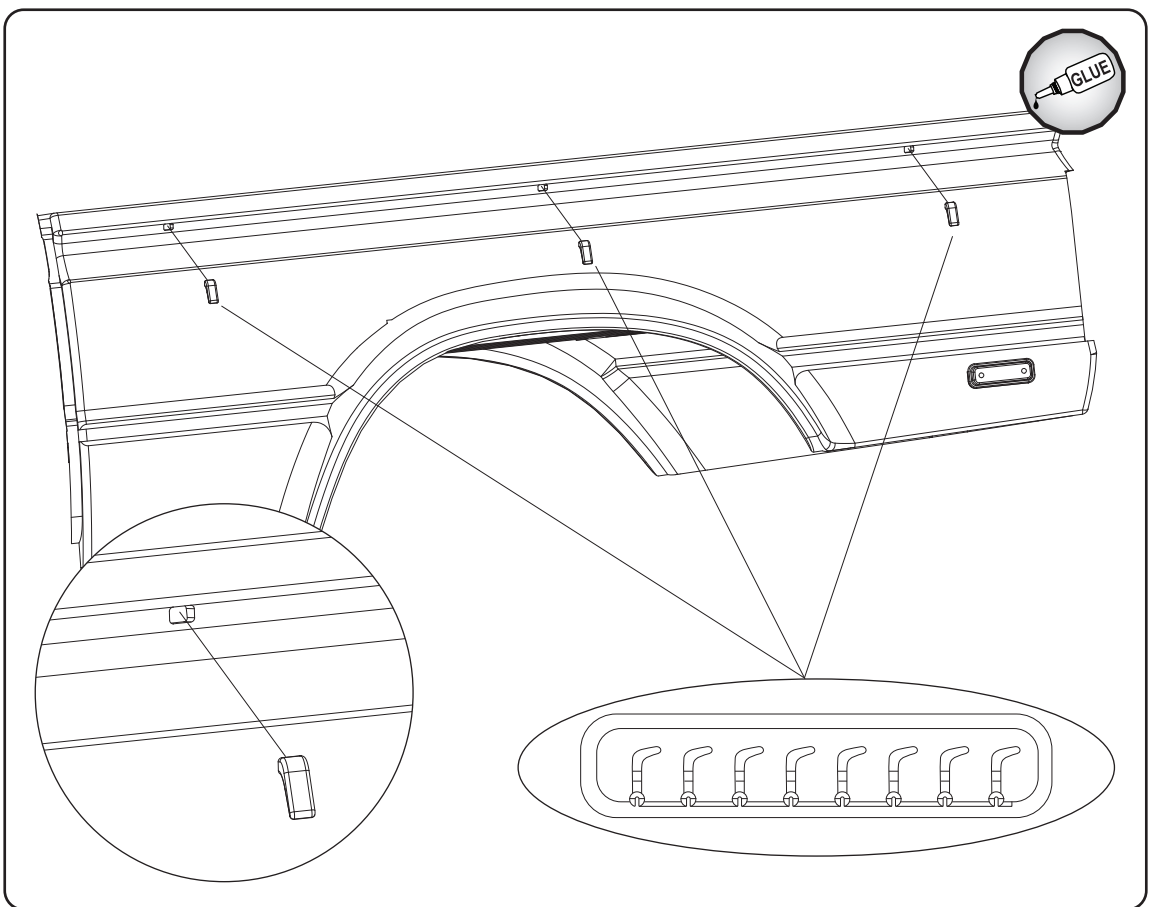
X2

350-1182
Rubber Clips



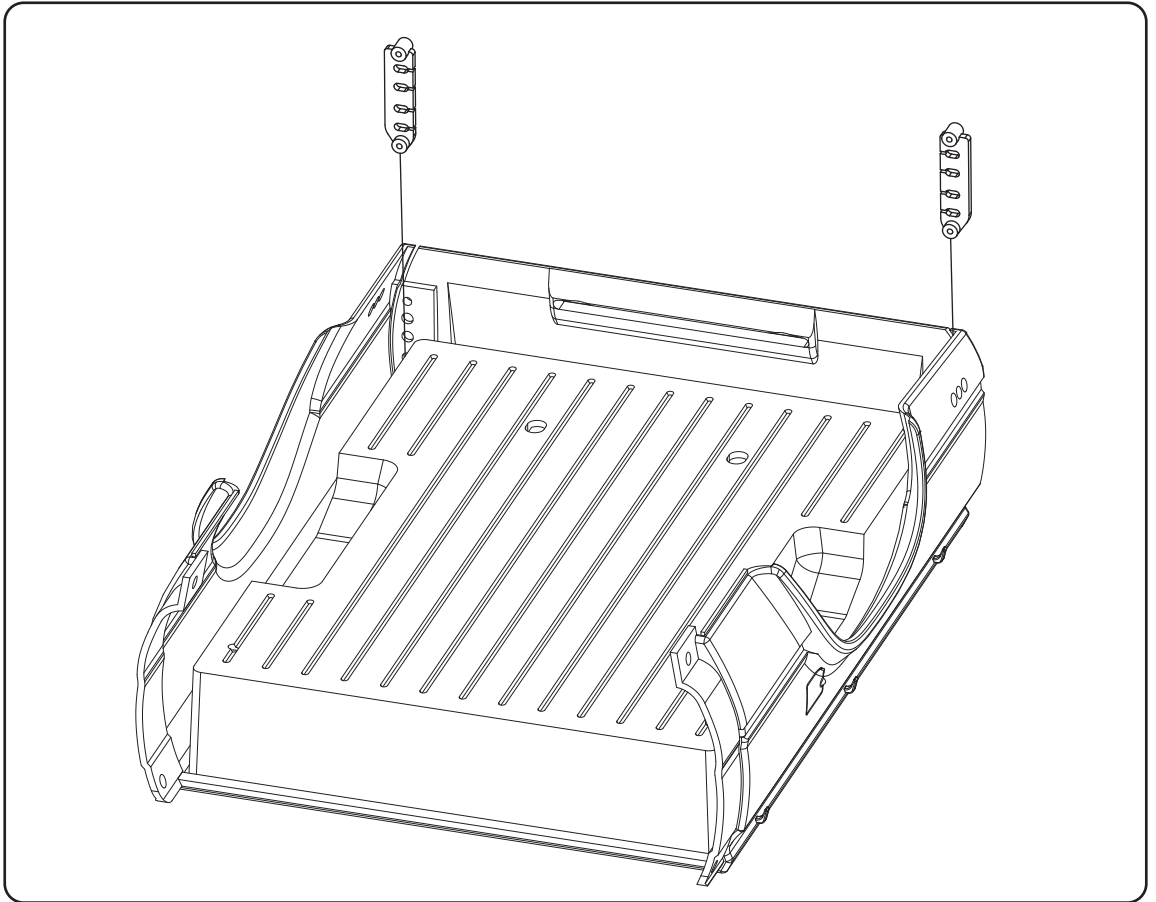
RC4WD
Step 24

Glueing with flexible glue.



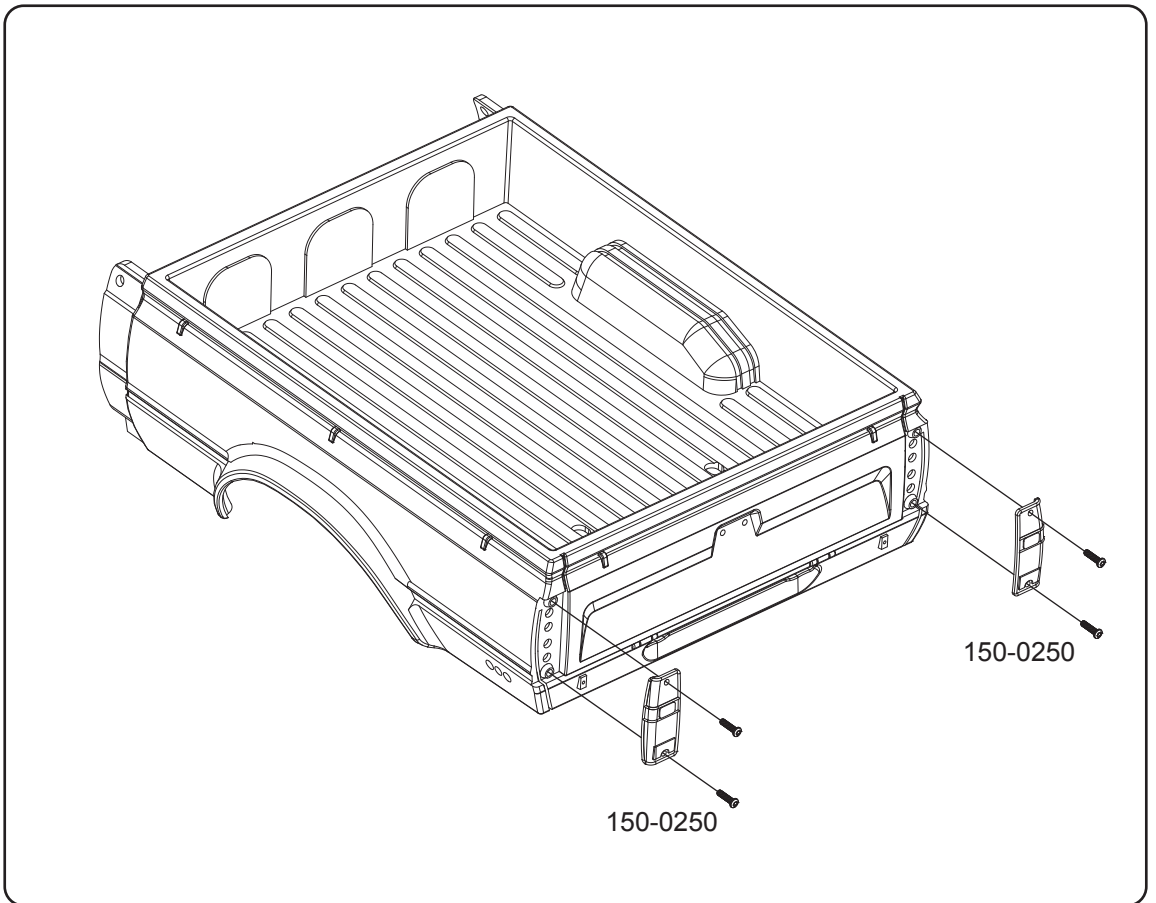
RC4WD Step 25

Align LED brake light mount to the back of the brake lights.



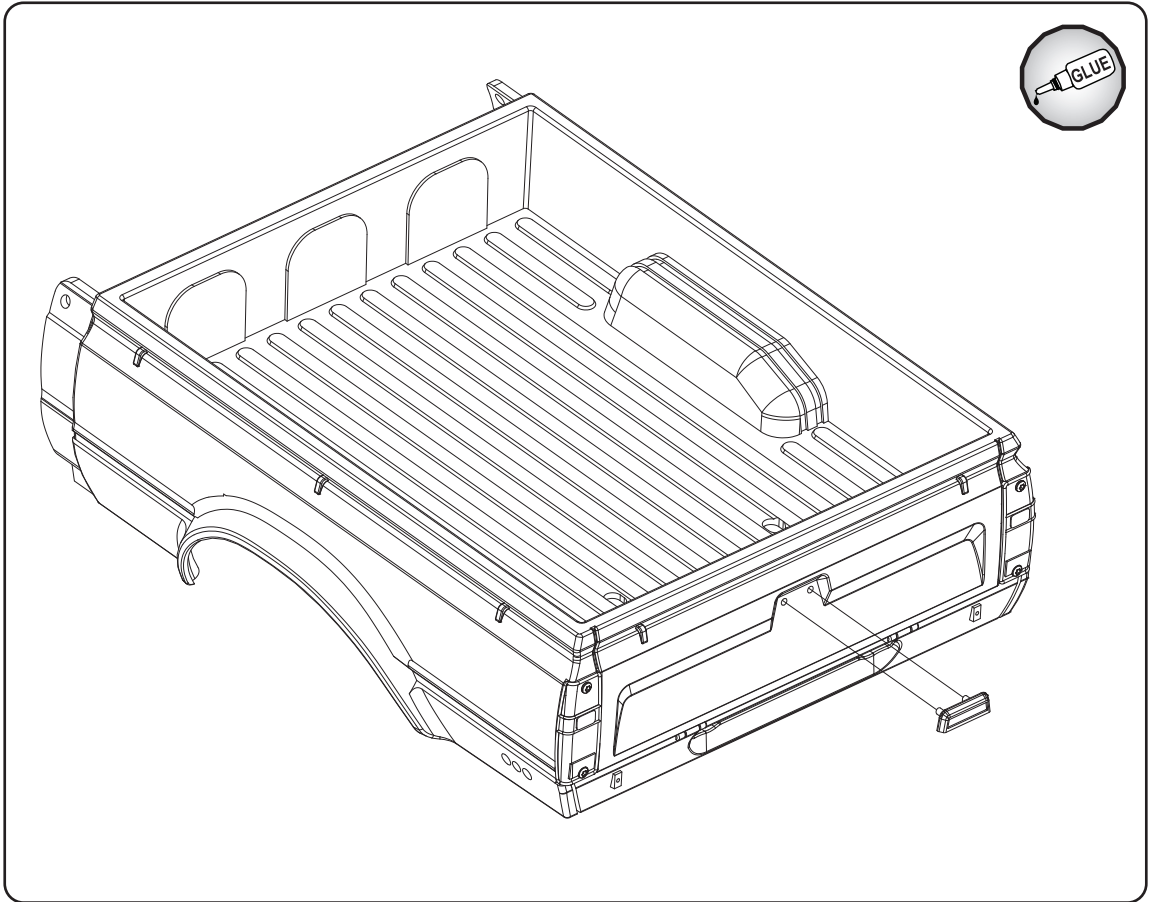
RC4WD Step 26

 X4
150-0250
M2 x 8mm BHSTS




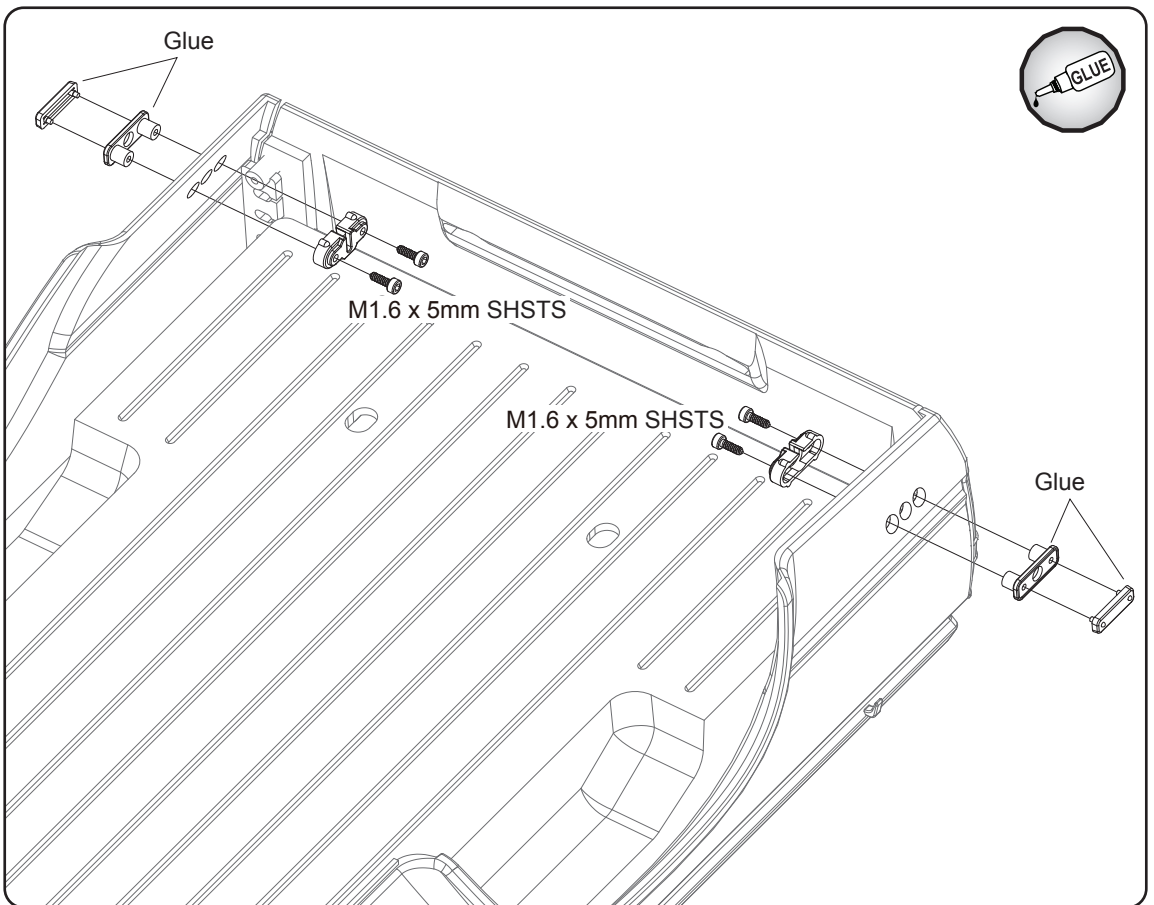
RC4WD Step 27

Can be fixed using plastic solvent glue.



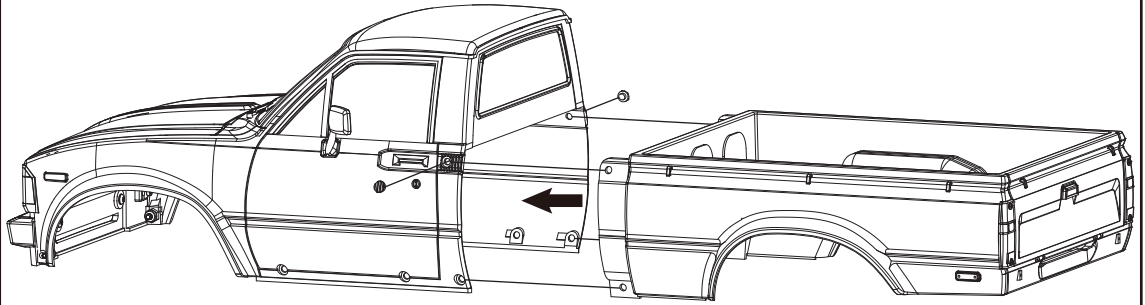
RC4WD Step 28

 X4
SHSTS
M1.6 x 5mm



RC4WD Step 29

If builder plans to later install a cabin interior do not use screw covers. If no interior is planned the use of the screw covers can be placed by the vents are the door handles for a more scale look.



RC4WD Step 30



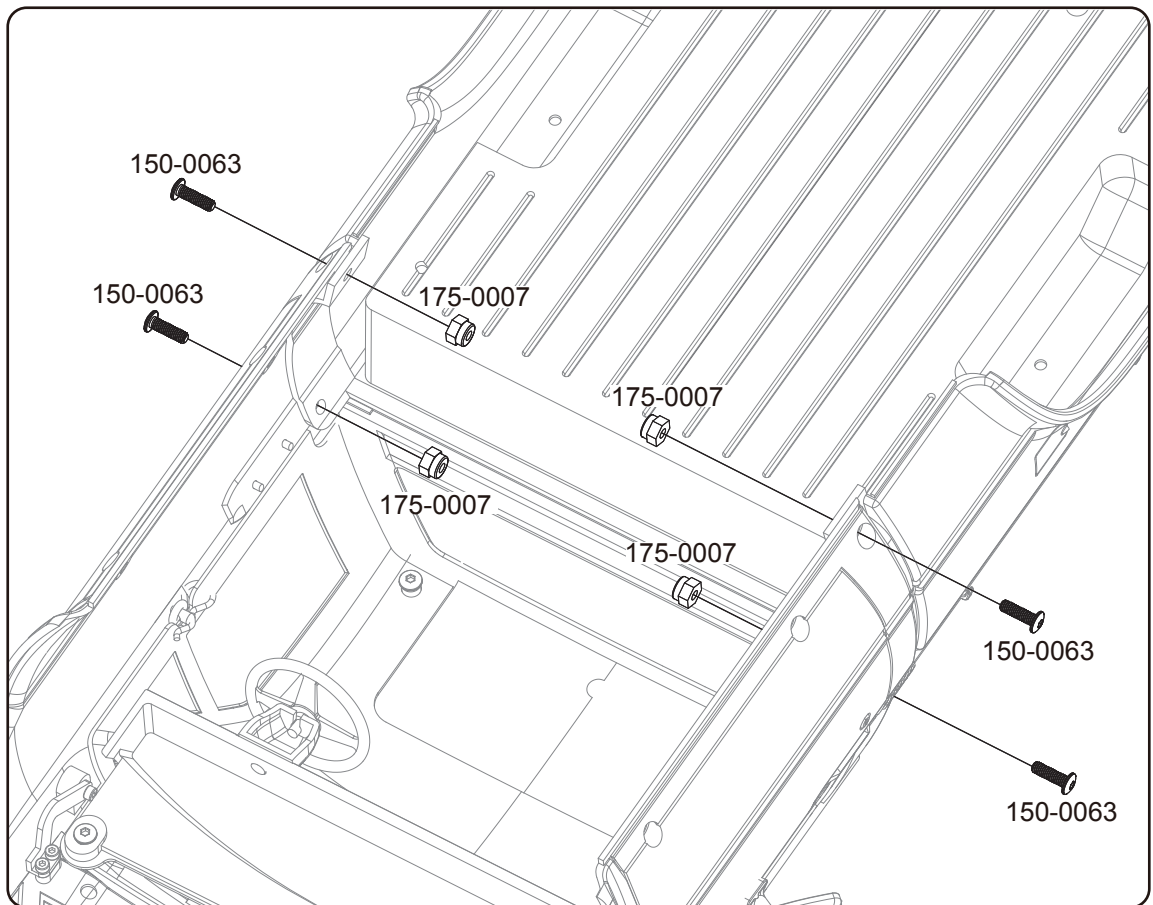
X4

175-0007
M3 Nylock Nut



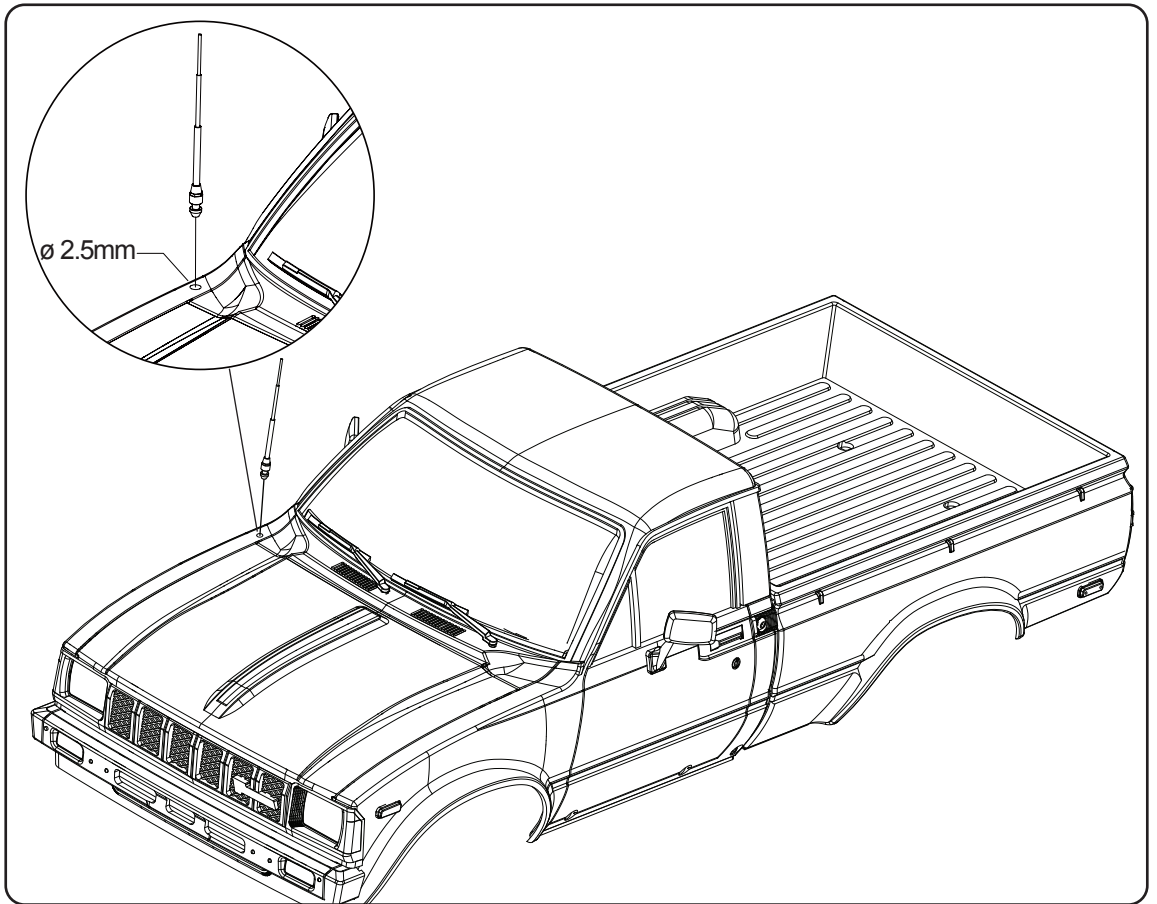
X4

150-0063
M3 x 10mm BHCS



RC4WD Step 31

Note:
The hole is 2.5mm for a tight fit. Use a small hex driver to help push the antenna through the hole. Reaming the hole to 3mm will also work, but will give you a slightly loose fit. Be sure not to damage the rubber when installing the antenna.

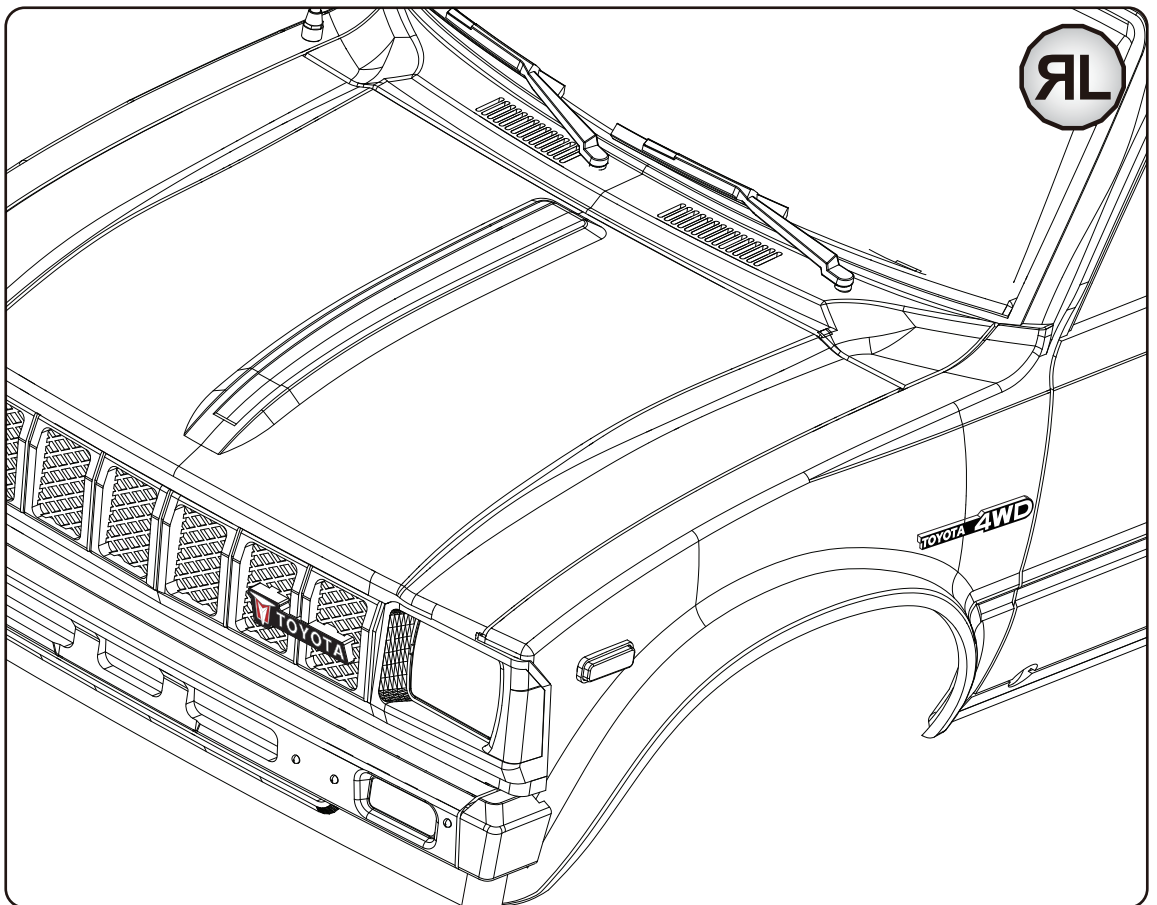


RC4WD Step 32

Please stick the metal logo in the corresponding position.

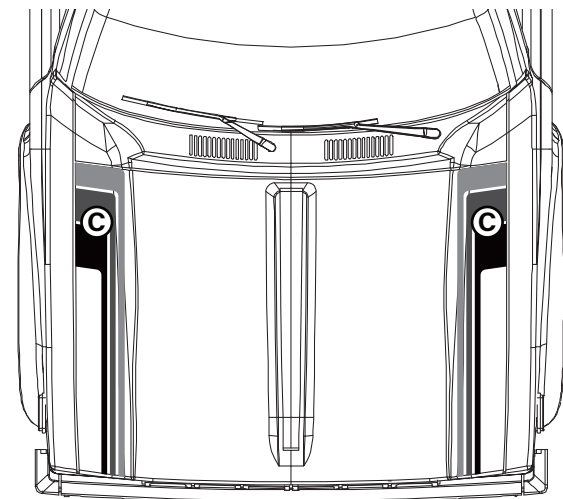
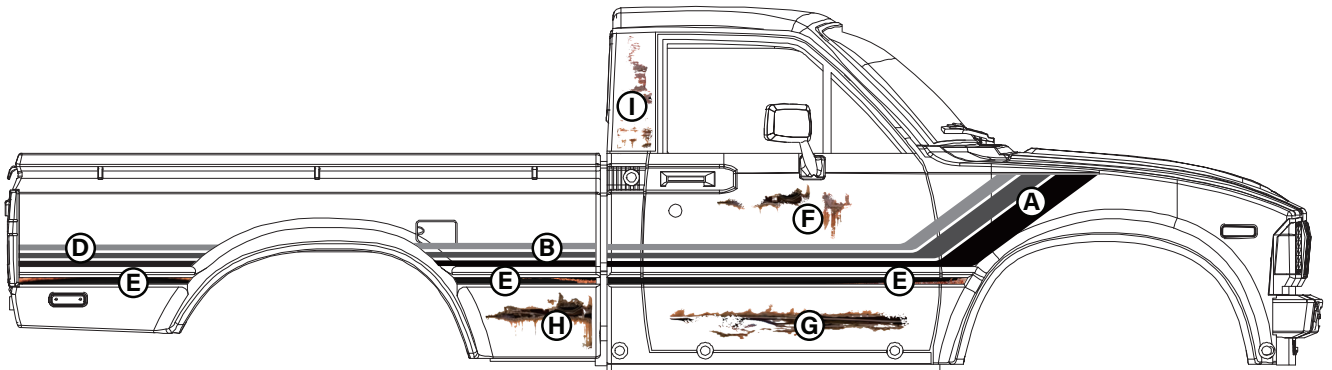
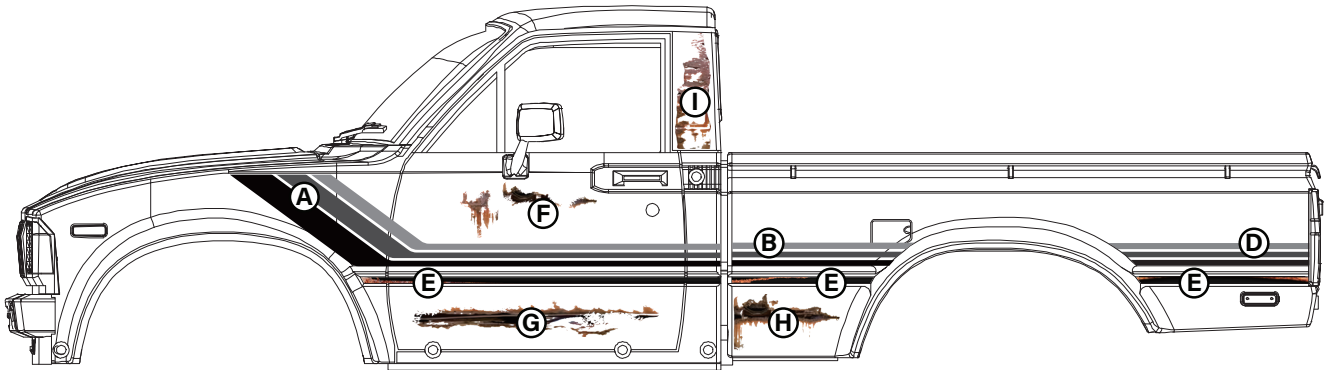
TOYOTA 4WD X2

TOYOTA X1



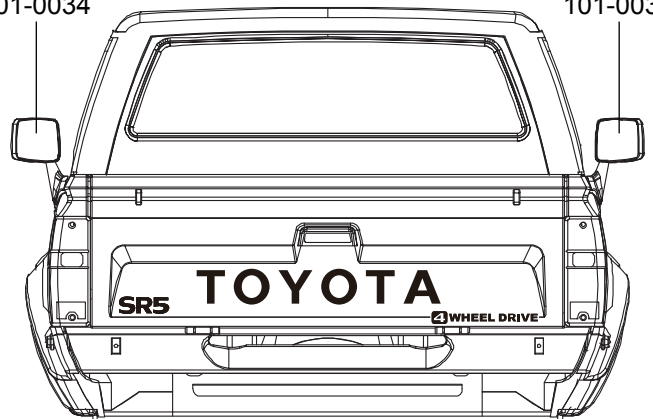
OPTIONAL DECAL PLACEMENT

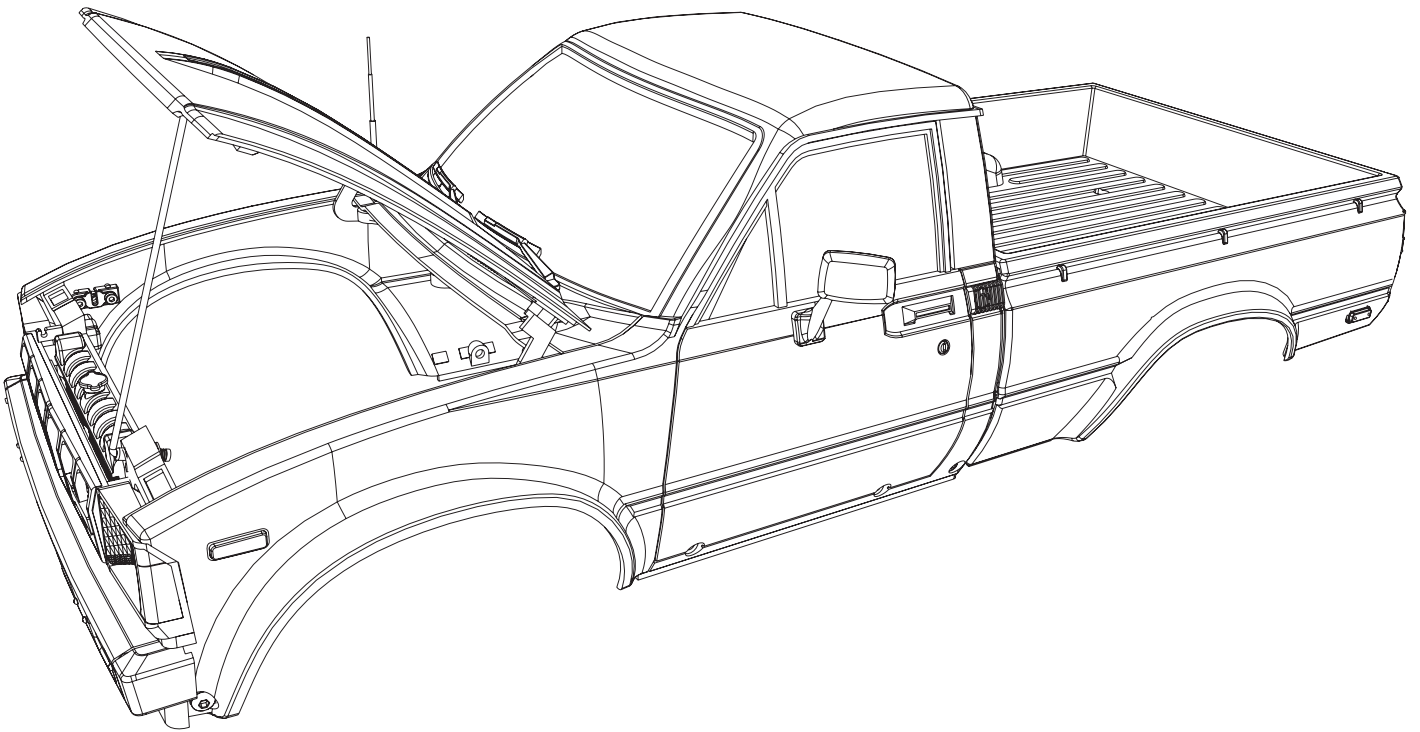
Colocación de calcomanías opcionales / Placement optionnel des autocollants / Optionale Aufkleberplatzierung



Mirror Decals
101-0034

Mirror Decals
101-0034





Drive it like you built it!



REPLACEMENT PARTS

Piezas de repuesto / Pièces de rechange / Ersatzteile

- Z-B0002 RC4WD 1982 Toyota Pickup and Mojave II Chrome Front Grille Parts Tree
- Z-B0004 RC4WD Clear Lexan Windshield for Tamiya Hilux and Mojave Body
- Z-B0072 RC4WD 1982 Toyota Pickup and Mojave II Rear Bed (Primer Gray)
- Z-B0074 RC4WD Mojave II Cab Back Panels and Grill Parts Tree (Primer Gray)
- Z-B0076 RC4WD Mojave II Chrome Bumper and Parts Tree
- Z-B0078 RC4WD 1982 Toyota Pickup and Mojave II Clear Parts Tree
- Z-B0080 RC4WD 1982 Toyota Pickup and Mojave II Dash and Wiper Parts Tree
- Z-B0082 RC4WD 1982 Toyota Pickup and Mojave II Rubber Mirror
- Z-B0259 RC4WD 1982 Toyota Pickup Cab
- Z-B0260 RC4WD 1982 Toyota Pickup Hood Parts
- Z-S1010 RC4WD 1982 Toyota Pickup Hood Hinges



OPTIONAL PARTS

Partes opcionales / Pièces en option / Optionale teile

- Z-B0032 RC4WD Scale Bench Seat for 1982 Toyota Pickup/Mojave II
- Z-B0140 RC4WD Complete Graphic Decal Set for 1982 Toyota Pickup/Mojave II
- Z-B0143 RC4WD Clean Stripes for 1982 Toyota Pickup/Mojave II Decal Sheet (Black)
- Z-B0168 RC4WD Clean Stripes for 1982 Toyota Pickup/Mojave II Decal Sheet (White)
- Z-B0173 RC4WD Complete Interior w/Metal Details for 1982 Toyota Pickup/Mojave II
- Z-B0174 RC4WD Clean Stripes for 1982 Toyota Pickup/Mojave II Decal Sheet (Gray)
- Z-B0202 RC4WD Bobbed Bed for 1982 Toyota Pickup/Mojave II
- Z-E0006 RC4WD LED Basic Lighting System for 1982 Toyota Pickup/Mojave II
- Z-E0076 RC4WD 1/10 Baja Designs S8 LED Light Bar (120mm)
- Z-S0256 RC4WD Front Inner Fender Set for 1982 Toyota Pickup/Mojave II
- Z-S0517 RC4WD Roam Adventure 1/10 45QT Rugged Cooler
- Z-S0524 RC4WD Roam Adventure 1/10 95L Rugged Case
- Z-S0540 RC4WD Roam Adventure 1/10 160L Rugged Case
- Z-S0551 RC4WD Lettering Kit for Mojave and Tamiya Hilux/Tundra Bodies
- Z-S0612 RC4WD MAXTRAX Vehicle Extraction and Recovery Boards 1/10 (Safety Orange) (2)
- Z-S0682 RC4WD Lift Kit for 1982 Toyota Pickup/Mojave II
- Z-S0759 RC4WD 1/10 Bed Mounted Tire Carrier
- Z-S0771 RC4WD Steel Roll Bar for 1982 Toyota Pickup/Mojave II
- Z-S0930 RC4WD 1/10 Hilux 4WD Emblem Set for 1982 Toyota Pickup/Mojave II
- Z-S1300 RC4WD 1/10 Sleeping Mat w/Straps (Green)
- Z-S1302 RC4WD 1/10 Sleeping Mat w/Straps (Black)
- Z-S1740 RC4WD Scale Garage Series 1/10 Wooden Handle Boulder Flat Shovel w/D-Grip
- Z-S1765 RC4WD Garage Series Cooler
- Z-S1766 RC4WD Garage Series Flashlight Set
- Z-S1774 RC4WD 1/10 Hi-Lift Extreme Jack
- Z-S1826 RC4WD Safari Snorkel for 1982 Toyota Pickup/Mojave II
- Z-S1831 RC4WD MAXTRAX Vehicle Extraction and Recovery Boards 1/10 (Black) (2)
- Z-S1835 RC4WD MAXTRAX Vehicle Extraction and Recovery Boards 1/10 (Titanium Gray) (2)
- Z-S1856 RC4WD KC HiLiTES Daylighter Light Set
- Z-S1865 RC4WD Scale Garage Series 1/10 Chainsaw
- Z-S1954 RC4WD 1/10 Hi-Lift® Patriot Edition Jack
- Z-S2140 RC4WD Double Steel Tube Headache Rack for 1982 Toyota Pickup/1987 XtraCab and Mojave II
- Z-X0049 1/10 Military Storage Box
- VVV-C0007 1/10 Metal Emblem Set for Tamiya Hilux
- VVV-C0106 Steel Tube Rollbar Rack for RC4WD 1982 Toyota Pickup/Mojave II (Style A)
- VVV-C0108 Steel Tube Rollbar Rack for RC4WD 1982 Toyota Pickup/Mojave II (Style B)
- VVV-C0207 Tonneau Cover for RC4WD 1982 Toyota Pickup/Mojave II
- VVV-C0290 Metal Rear Emblem for RC4WD 1982 Toyota Pickup/Mojave II (White)
- VVV-C0291 Metal Vintage Rear Emblem for RC4WD 1982 Toyota Pickup/Mojave II (White)
- VVV-C0292 Metal Rear Emblem for RC4WD 1982 Toyota Pickup/Mojave II (Black)
- VVV-C0293 Metal Vintage Rear Emblem for RC4WD 1982 Toyota Pickup/Mojave II (Black)
- VVV-C0294 Roll Bar/Roof Rack for RC4WD 1982 Toyota Pickup/Mojave II
- VVV-C0295 Roll Bar/Roof Rack w/Light Bar Frame for RC4WD 1982 Toyota Pickup/Mojave II
- VVV-C0378 Interior Package for RC4WD 1982 Toyota Pickup/Mojave II
- VVV-C0379 Interior Package for Mojave Body and Axial SCX10
- VVV-C0387 1/10 Rear Spare Tire Mount for RC4WD 1982 Toyota Pickup/Mojave II
- VVV-C0424 Malice Mini Roof Rack for RC4WD 1982 Toyota Pickup/Mojave II
- VVV-C0425 Malice Mini Roof Rack w/Lights for RC4WD 1982 Toyota Pickup/Mojave II
- VVV-C0430 Bed Soft Top w/Cage for RC4WD 1982 Toyota Pickup/Mojave II (Black)
- VVV-C0475 1/10-1/14 Work Light
- VVV-C0477 1/10-1/14 Work Lights (w/LED)
- VVV-C0733 1/10 Subwoofer
- VVV-C0737 Diamond Plate Rear Bed for RC4WD 1982 Toyota Pickup/Mojave II
- VVV-C0936 1/10 Heavy Duty Cargo Box





www.rc4wd.com



RC4WD

737 N. Gateway St.
Visalia, CA 93291

Web: www.rc4wd.com - Email: support@rc4wd.com

100-0112